



## CURTAIN ANCHORS

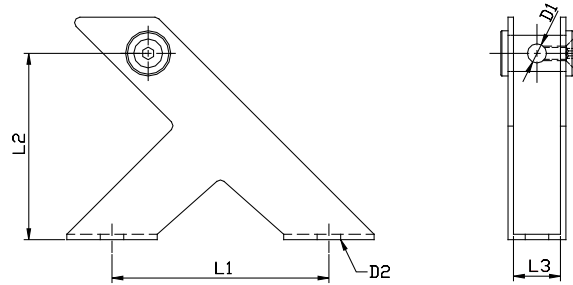
Stainless Steel - AISI 304

ART. NO.	WIRE	D1	D2	L1	L2	B.L./KG
Y1305	3	5,3 For M5	6,5	60	50	500

incl. Double headed Clevis Pins

The Y-system offers a number of options - developed as a solid curtain wire base the Y anchors support loads up to 500 kg. and can be used with 2 , 2.5 and 3 mm wire/ M5 thread.

The pin gives flexibility to the system and allows the wires to be fitted at various angles, but can , on longer expansions, also be used as a simple wire support.



Use max. M5 thread terminals for 3 mm wire



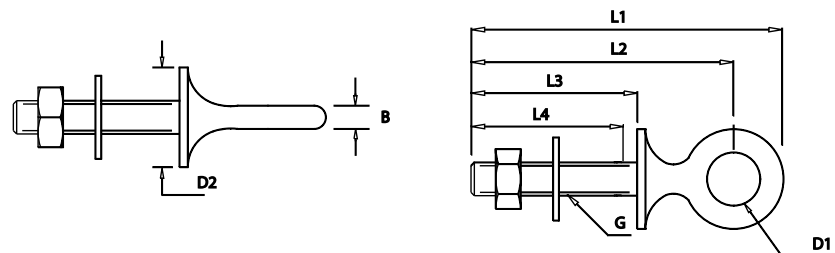
## EYE BOLTS WELDED

Polished Stainless Steel - AISI 316

The Welded and forged eye bolts are supplied with a pre-welded cover disc, washer and nut and offer a strong attachment. Use them , for example, combined with forks welded or machined..

ART. NO.	G	D1	D2	B	L1	L2	L3	L4	B.L./KG	KG/100	PACK
370630	M6	13	25	5,0	57	46	30	30	1200	1,8	10
370640	M6	13	25	5,0	66	56	40	40	1200	2,8	10
370650	M6	13	25	5,0	76	62	50	50	1200	3,0	10
370660	M6	13	25	5,0	87	76	60	60	1200	2,6	10
370600	M6	13	25	5,0	126	115	100	95	1200	3,7	10
370835	M8	15	25	6,0	66	53	35	35	2200	3,8	10
370850	M8	15	25	6,0	80	68	50	50	2200	4,9	10
370880	M8	15	25	6,0	110	98	80	75	2200	5,5	10
370800	M8	15	25	6,0	130	118	100	75	2200	6,5	10
371050	M10	16	30	7,0	85	70	50	50	3500	8,7	10
371000	M10	16	30	7,0	135	120	100	95	3500	11,0	10
371250	M12	18	30	9,0	90	74	50	45	4500	10,2	10
371210	M12	18	30	9,0	140	124	100	85	4500	15,0	10
371216	M12	18	30	9,0	200	184	160	85	4500	19,0	10

Note: All breakloads are determined by eye (D) and thread

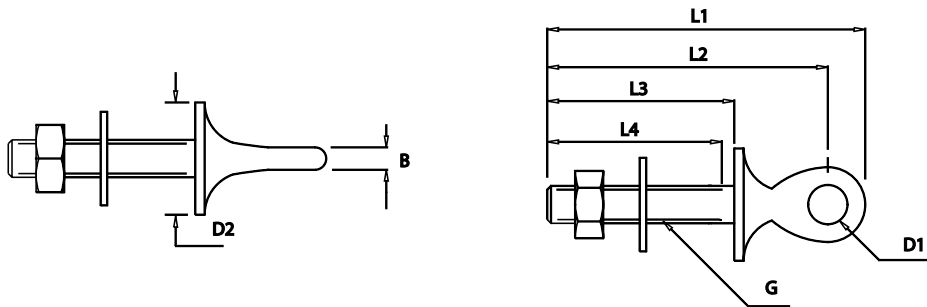


## EYE BOLTS FORGED

Polished Stainless Steel - AISI 316

ART. NO.	G	D1	D2	B	L1	L2	L3	L4	B.L./KG	KG/100	PACK
310630	M6	6,5	25,0	4,0	53	46	30	30	1200	1,3	10
310660	M6	6,5	25,0	4,0	83	76	60	60	1200	2,1	10
310835	M8	8,5	25,0	5,0	65	58	35	35	2200	3,3	10
310880	M8	8,5	25,0	5,0	110	104	80	75	2200	5,0	10
311050	M10	10,5	30,0	6,0	87	75	50	50	3500	8,2	10
311000	M10	10,5	30,0	6,0	137	125	100	85	3500	11,0	10

Note: All breakloads are determined by eye (D) and thread



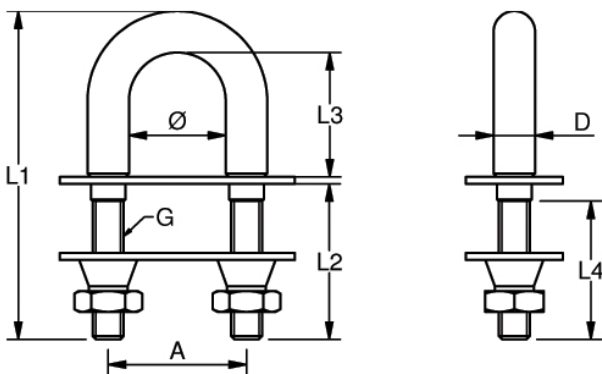
The Welded and forged eye bolts are supplied with a pre-welded cover disc, washer and nut and offer a strong attachment. Use them, for example, combined with forks welded or machined..

## SECURITY "U" BOLTS

Polished Stainless Steel - AISI 316 - Wst. 1.4401

ART. NO.	G	Ø	A	D	L1	L2	L3	L4	B.L./KG	KG/100	PACK	Nut
<b>Class3 certified</b>												
431265	M12	32	46	14	122	65	41	48	5100	31,0	1	50 Nm
<b>Class2 certified</b>												
431045	M10	28	40	12	95	45	38	40	3500	22,0	1	50 Nm

Note: All breakloads are determined by thread



Hardchromed U-bolt with security locking nuts.

