



BLUE WAVE[®]
RIGGING HARDWARE

Welcome to the Blue Wave Marine Catalogue.

Information and contact

You are kindly asked to contact your local Blue Wave dealer/distributor, or Blue Wave direct, should you have any questions or need further documentation.

Blue Wave A/S

H.C. Oerstedsvej 2
DK 6100 Haderslev
Denmark

Blue Wave - Australia Pty Ltd

Unit 3/75 Casua Drive
Varsity Lakes QLD 4227
Australia

Mail: bluewave@bluewave.dk
Homepage: www.bluewave.dk

Mail: bwa@bluewaveaus.com
Homepage: www.bluewaveaus.com

Phone: + 45 73 22 14 14
Fax: + 45 73 22 14 24

Phone: + 61 7 5593 8178
Fax: + 61 7 5593 7365

Blue Wave Rigging Hardware

We have been in business since 1932 with headquarter located in Haderslev, Denmark, Blue Wave A/S is currently in its third generation, as a family owned and lead Manufacturing Company. The Blue Wave crews consist of 60 dedicated and skilled employees, some of them has been with us for more than 20 years.

We are currently among the top three largest manufacturers of high quality stainless steel rigging hardware in the world. Our focus has for years been the Marine, Architectural and Industrial sectors.

In the fifties Blue Wave mainly produced shackles and thimbles, later on came the wire fittings and in the nineties the rod program was introduced. By constant development and investments in high tech production machinery, focus on customer needs and wishes, a well known brand name has been established.

Today Blue Wave's product range covers one of the most extensive ranges of stainless steel wire fittings, ranging from 2mm to 32mm.

Key factor for Blue Wave's future development and production, is a continued development driven by customer demand. Applying efficient production, good design, low weight and optimal strength to its products.

Blue Wave strives to become the number one chosen supplier of rigging hardware.



INFORMATION

WIRE ROPES

RIGGING SCREWS

THREADED FITTINGS

TERMINALS

SWAGELESS

TOGGLES

ACCESSORIES

ROD RIGGING

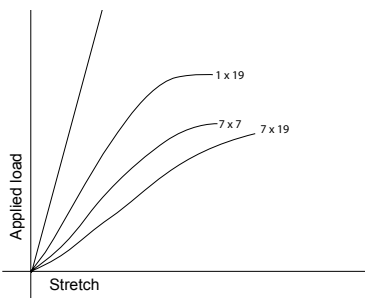
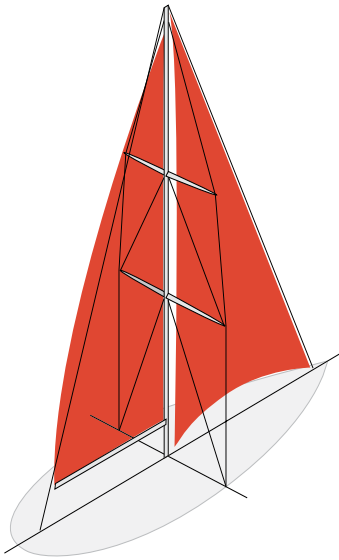
Useful Information

Stretch in wire and rod

The reason that a rod rig generally has a shorter lifetime than a wire rig, is that the wire rig has a higher flexibility than the rod rig. The exception is Dyform or compacted wire, with the ability of rod but the flexibility of wire.

Stretch is the amount by which a material can be increased in size (lengthened or widened) by pulling.

Stretch is always one of the critical factors considered when designing a rig. Low stretch under high loads is important for the final performance of a rigging configuration.

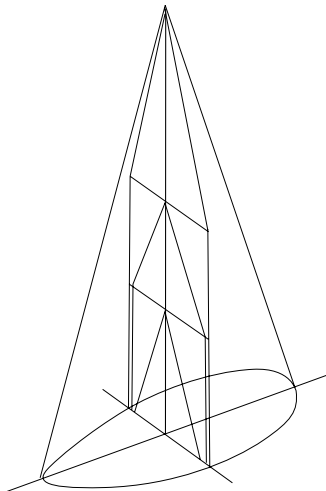


Rig Maintenance

All rigs should be checked and maintained regularly. The rig and sails are your boat's "engine" and as with all engines, the fittings should be checked at least twice a year. Are your rigging screws starting to fail? Are all treads and pins intact? Cleaning the fittings and adding fresh lubricant, will extend the lifetime of your rig. A rig's lifetime depends upon the standard of maintenance, however as a general rule, your boat needs to be de-rigged and inspected, at least every other year. A qualified inspector should inspect a wire rig after 10-15 years and a rod rig after 5-8 years.

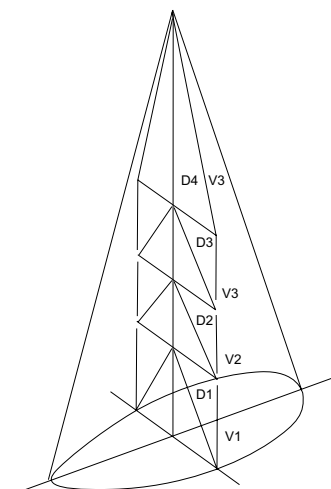
Wire or Rod Rigging - Blue Wave has the fittings?!

Blue Wave offers a wide range of high quality stainless steel marine fittings. The Blue Wave range complies with AISI 316 standards and is also available in combination with chrome bronze. There are several interchangeable combinations of components, which can be used to complete the optimal wire or rod rig for almost every boat. We trust you enjoy using our catalogue and are sure you will find something to meet your requirements.



Continuous

Most popular version where all shrouds (upper, intermediate and lower) are terminated on deck. Represents a simple and economical solution, weaknesses are weight and aerodynamics.



Discontinuous

This type of rigging is more sophisticated. All shrouds are terminated both at the top and ends of every mast section (panel). Only V1 and D1 are terminated on deck. By adjusting length of spreaders, a reduction of elasticity can be obtained.

Wire Rigging Facts and Information

Facts and information

- working with wire fittings..

When planning a wire construction the ultimate break load, as well as the work load, must be calculated, as it will determine the minimum wire size and maybe the wire construction needed.

Blue Wave's fitting's, unless otherwise stated, are constructed after termination to meet 90% of the break load on the wire ropes that are standard in the market. PLEASE NOTE : in order to guarantee safety in a wire construction you should calculate a safety factor of 2-3 on static constructions and a minimum of 5 on dynamic constructions. As a general rule working loads should never exceed 20% of the break loads stated in this catalogue.

For further details ask your Blue Wave/Marine distributor or contact Blue Wave A/S.

Break loads

UNF THREAD SIZE	WIRE Ø METR.	WIRE Ø INCH	BREAK LOAD
1/4"	3	1/8"	1300 KG
1/4"	4	5/32"	1300 KG
5/16"	4	5/32"	1700 KG
5/16"	5	3/16"	2200 KG
3/8"	5	3/16"	2400 KG
3/8"	6	-	3400 KG
3/8"	-	1/4"	3400 KG
7/16"	6	-	4600 KG
7/16"	7	9/32"	4600 KG
1/2"	6	-	5400 KG
1/2"	-	1/4"	5200 KG
1/2"	7	9/32"	6100 KG
1/2"	8	5/16"	6100 KG
5/8"	8	5/16"	8700 KG
5/8"	-	3/8"	9900 KG
5/8"	10	-	9900 KG
3/4"	-	3/8"	10200 KG
3/4"	10	-	9700 KG
3/4"	12	-	11400 KG
3/4"	-	1/2"	12900 KG
7/8"	14	-	15900 KG
1"	16	5/8"	19400 KG
1-1/8"	19	3/4"	27600 KG
1-1/4"	22	7/8"	34600 KG
1-3/8"	26	1"	43000 KG

Swage dimensions

Wire Ø mm	Wire Ø Inch	Inside diameter in mm (+/-0,2)	Outside diameter in mm (+/-0,10)	Depth in mm (+/-1,5)	After Swaging mm
2,0	1/16"	2,2	5,50	32	4,7-4,82
2,5	3/32"	2,8	5,50	32	4,7-4,82
3,0	1/8"	3,5	6,35	38	5,44-5,56
4,0	5/32"	4,4	7,50	45	6,23-5,35
5,0	3/16"	5,3	9,00	51	7,83-7,95
5,5	7/32"	5,8	10,80	59	9,35-9,50
6,0	-	6,5	12,58	64	10,95-11,12
6,3	1/4"	6,8	12,58	64	10,95-11,12
7,0	9/32"	7,5	14,20	70	12,5-12,7
8,0	5/16"	8,4	16,00	83	14,07-14,3
9,5	3/8"	10,0	17,80	89	15,7-15,9
10,0	-	10,5	17,80	89	15,7-15,9
12,0	-	12,5	20,00	105	17,6-17,8
13,0	1/2"	13,5	21,40	120	18,82-19,05
14,0	-	14,8	25,00	140	22,0-22,23
16,0	-	17,0	28,00	160	25,15-25,40
19,0	-	20,0	34,50	200	31,44-31,75
22,0	-	23,5	40,50	230	36,2-36,50
26,0	-	27,5	46,00	280	40,97-41,28



Blue Wave High Quality Lubricant

Synthetic oil based Lubricant with PTFE

The Blue Wave Lubricant contains PTFE micro powder, dispersed in synthetic base oil with anti-oxidation additives. It is a high effective lubricant, with long life properties, for use in metal to metal applications. Water repellent, does not soil, resists temperatures between -50°C and $+200^{\circ}\text{C}$

Non ageing and has extremely low friction.

Supplied in tube with 50 gr.

The Blue Wave Lubricant is used on the threads improving the performance. Whenever stainless steel threaded parts are screwed together it is always strongly recommended to lubricate the threads first, as this prevents the threads from jamming!



Ask for Blue Wave Part No. BWLUB1

Blue Wave products can be used in temperature range from -40°C to $+100^{\circ}\text{C}$ and briefly up to 200°C



PREN Pitting Resistance Equivalent

$$PREN = \% Cr + (\% Mo \times 3,3) + (\% N \times 16)$$

PREN is a guideline formula for calculating the properties of stainless steel and their resist against pitting. You could say that the content of Molybdenum, has 3.3 times as great effect against corrosion, as the content of chrome, and Nitrogens has 16 times. To ensure the right quality of stainless steel, Blue Wave has invested in an X-ray gun for the control of raw materials, to ensure that customers always get the desired quality. Below is a table of the most frequently used types of stainless steel at Blue Wave.



EN	STRUCTURE	C %	Cr %	Ni %	Mo %	N %	Si ≤%	Mn ≤%	S ≤%	P ≤%	PREN
1,4301	304	≤ 0,07	17,5 - 19,5	8,00 - 10,5	-	-	1,0	2,0	0,015	0,045	17,5
1,4401	316	≤ 0,07	16,5 - 18,5	10,0 - 13,0	2,00 - 2,50	-	1,0	2,0	0,015	0,045	23,1
1,4404	316 L	≤ 0,30	16,5 - 18,5	10,0 - 13,0	2,00 - 2,50	-	1,0	2,0	0,015	0,045	23,1
1,4571	316 Ti	≤ 0,08	16,5 - 18,5	10,5 - 13,5	2,00 - 2,50	-	1,0	2,0	0,015	0,045	23,1
1,4462	318 LN	≤ 0,30	21,0 - 23,0	4,50 - 6,50	2,50 - 3,50	0,1 - 0,22	1,0	2,0	0,015	0,035	30,9

Table showing the most frequently used stainless steel grades and their chemical composition





Correct attachment

Always use the correct size standard dies recommended by the supplier. As correct wire attachment/termination can only be achieved by firmly squeezing the material of the terminal into the strands of the wire.

Most Blue Wave terminals are marked with wire size and a mark indicating the depth of where to start for correct swaging.



Where markings are not possible e.g. on the small terminals, the wire hole depth must be measured before swaging, not only to find the point to start the swaging, but also to get the right length of the final wire including the fittings. CAUTION, by swaging the terminals onto the wire, the shaft will get a little longer. As a rule of thumb the length will be prolonged by approximately the same amount of mm as the diameter of the wire in mm!



SWAGELESS TERMINALS

Swageless Terminals



Jaw housing
Caja
Coprimeretto



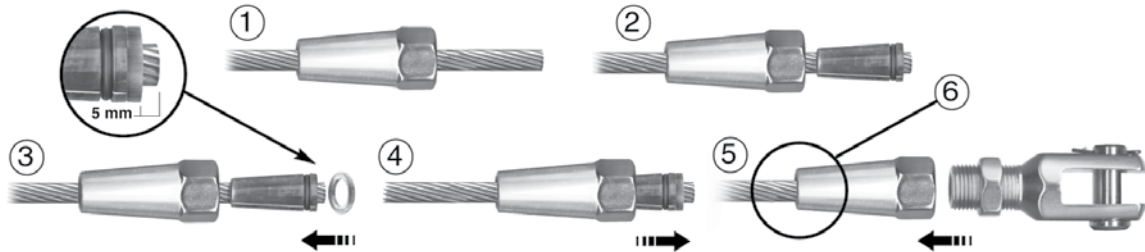
Jaws
Mordazas
Morsetto



Pressure ring (brass)
Anillo de latón
Anello di ottone



Head
Cabeza
Testa



ASSEMBLE INSTRUCTIONS

1. First slide the jaw housing in place on the cable.
2. Next, slide the jaws onto the cable leaving some space between the jaw sections.
3. Place the brass pressure ring on the end of the cable. Make sure that the distance from the pressure ring to the end of the cable is **5 mm**.
4. Slide the jaw housing over the jaws.
5. The terminal can now be assembled. Screw the head **firmly to the** jaw housing with a spanner. Then tighten the lock nut **firmly** with a spanner.
6. When assembling the Swageless Terminal a non-acidic sealing compound must be used in the housing, sikaflex 221, for example. Disassemble the terminal and fill the jaw housing and the cavity with sealing compound, then assemble the terminal. Repeat this until the sealing compound emerges from the hole through which the cable is inserted. Clean the terminal. **Do NOT reuse the jaws**. Make sure that the dimensions of the terminal and cable match.



Maintenance

Check the terminal regularly for damage in connection with longer exposure to concentrated saline solutions or polluted surroundings. Check the seal, if it is broken remove all sealing compound. Then rinse the terminal with fresh water and treat it with WD40. Reseal the terminal with non-acidic sealing compound.

Note

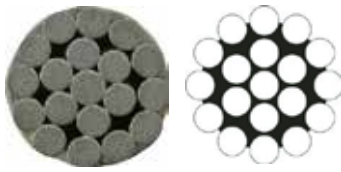
After the first dynamic load the terminal **MUST** be tightened again. The terminal was developed for use with following types of cable: 1x19, 7x19 and 7x7. The terminal can also be used with Dyform (compacted strand) When assembling swageless terminals the the breaking strength of the cable used will be reduced by 0-15 %.

The user is responsible for choosing the proper cable diameter and for correct assembly

S.S. WIRE ROPE

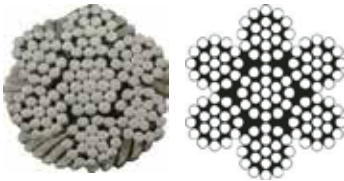
Stainless Steel - AISI 316

1 x 19 AISI 316 - DIN 33053



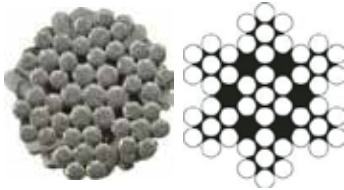
ART. NO.	DIM. MM	TENSILE STRENGTH KG	CA. KG/100 M
WR11902	2,0	336	1,99
WR11925	2,5	525	3,10
WR11903	3,0	756	4,47
WR11904	4,0	1346	7,95
WR11905	5,0	2100	12,40
WR11906	6,0	3027	17,90
WR11907	7,0	4119	24,30
WR11908	8,0	5302	31,80
WR11910	10,0	8035	49,70
WR11912	12,0	11186	71,30

7 x 19 AISI 316 - DIN 3060



ART.NO.	DIM. MM	TENSILE STRENGTH KG	CA. KG/100 M
WR71902	2,0	212	1,58
WR71925	2,5	332	2,40
WR71903	3,0	478	3,84
WR71904	4,0	850	6,49
WR71905	5,0	1325	9,14
WR71906	6,0	1913	13,80
WR71908	8,0	3395	23,87
WR71910	10,0	5312	40,30
WR71912	12,0	8345	55,00

7 x 7 AISI 316 - DIC 3055



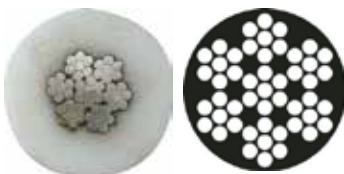
ART. NO.	DIM MM	TENSILE STRENGTH KG	CA. KG/100 M
WR70702	2	229	1,71
WR70725	2,5	369	2,6
WR70703	3	517	3,85
WR70704	4	918	7
WR70705	5	1435	10,5
WR70706	6	2068	14,8
WR70708	8	3676	25,5
WR70710	10	5741	38,8

1 x 19 AISI 316 COATED WHITE



ART. NO.	DIM MM	TENSILE STRENGTH KG	CA. KG/100 M
CW119460	4,0-6,0	1346	9,50
CW119480	4,0-8,0	1346	13,50
CW119580	5,0-8,0	2100	17,20

7 x 7 AISI 316 COATED WHITE



ART. NO.	DIM MM	TENSILE STRENGTH KG	CA. KG/100 M
CW707460	4,0-6,0	918	8,75
CW707480	4,0-8,0	918	9,50

Note: The user is responsible for choosing the proper cable diameter and for correct assembly.

BLUE WAVE deliver wire rope in following standard reel sizes:

For 125 Meter Reels Please add **1** Eg. WR11902**1** = 1x19, Dia. 2mm x 125 M.


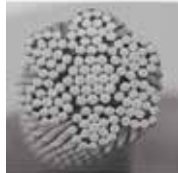



For 250 Meter Reels Please add **2** WR11902**2** = 1x19, Dia. 2mm x 250 M.

For 500 Meter Reels Please add **3** WR11902**3** = 1x19, Dia. 2mm x 500 M.

To complement our range of products, we offer wire rope in metric sizes, made in AISI 316 stainless steel.

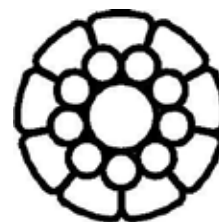
Our wire ropes are manufactured with high tensile strands. The strands are made by twisting single wires together helically. Depending on application or use, wire ropes are twisted together; the more wires used, the more flexible the wire rope.

Wire construction = Number of strands x Number of wires per strand. For example 1 x19 or 7 x7 .

CONSTRUCTION	DIMENSIONS	CHARACTERISTICS	APPLICATIONS	
1 x 19	ø2 - 10 mm ø12mm and up on request	Stiff	- Suspension & Control cables - Standing rigging	
7 x 19	ø2 - 10 mm ø 12 mm and up on request	Very flexible	- Blind systems - Standing rigging - Steering cables	
7 x 7	ø2 - 10 mm ø10 mm and up on request	Flexible	- Suspension & positioning - Systems Control cables - Average duty movements	
1 x 19	Coated wire rope ø4 / 6 mm ø4 / 8 mm ø5 / 8 mm	Stiff	- Guardrails	
7 x 7	Coated wire rope ø4 / 6 mm ø4 / 8 mm	Flexible	- Guardrails - Suspension & tensioning	

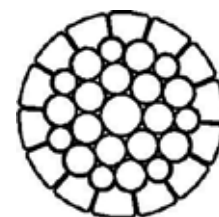
S.S. COMPACTED STRAND WIRE 1X19
Stainless Steel - AISI 316

ART. NO.	DIM MM	TENSILE STRENGTH KN	CA. KG/100 M
WD11904	4,0	17,46	9,1
WD11905	5,0	25,49	14,2
WD11906	6,0	35,29	20,5
WD11907	7,0	49,02	27,9
WD11908	8,0	61,76	36,5
WD11910	10,0	98,04	57,0
WD11912	12,0	142,15	82,1



S.S. COMPACTED STRAND WIRE 1X36
Stainless Steel - AISI 316

ART. NO.	DIM MM	TENSILE STRENGTH KN	CA. KG/100 M
WD13614	14,0	194,11	115,9
WD13616	16,0	253,92	149,9



COMPACTED STRAND ONLY ON REQUEST

Performance, reliability and design

- The QRT turnbuckle meet them all !



Blue Wave is fast, efficient and it is fit for purpose, and like all good design the QRT turnbuckle being accepted as a given. We have run the gauntlet of Class, measurers, ISAF plus a testing procedure, and I am please to see the team are embrac-

A win-win, both the sailors and Blue Wave will benefit. One of the reasons why this is a great industry to be involved in.

Julian Bethwaite
49'er designer



Community Design Registration 2012
design reg. -002094003-001

QRT Turnbuckle

Wire	Thread	BL/KG
2.5 mm 2/32"	1/4" UNF	1000
3.0 mm	1/4" UNF	1300
1/8"	1/4"	1300
4.0 mm 5/32"	5/16" UNF	1700
5.0 mm 3/16"	5/16" UNF	2200
6.0 mm	7/16" UNF	4600
7.0 mm	7/16" UNF	4600

! See page 18 - 19 for details.



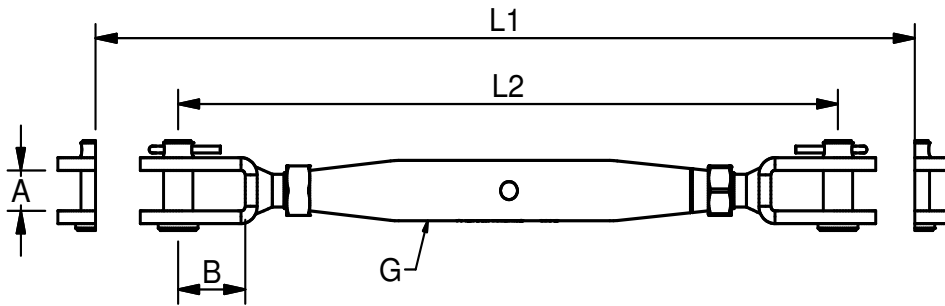
FORK/FORK METRIC

High Polished Stainless Steel - AISI 316

ART. NO.	G	PIN	A	B	L1	L2	B.L./KG.	KG/100	PACK
120005	M5	5,0	7,5	12,0	180	126	800	5,1	10
120006	M6	5,0	7,5	12,0	200	138	1000	9,0	10
120006X	M6	6,0	9,5	13,0	202	140	1200	14,0	10
120008	M8	6,0	9,5	13,0	234	158	1600	14,0	10
120008X	M8	8,0	11,0	15,0	240	166	2200	15,0	10
120010	M10	8,0	11,0	15,0	272	188	3200	24,0	10
120010X	M10	9,5	12,0	19,0	280	196	3500	26,0	10
120012	M12	12	14,0	25,0	350	244	5100	52,5	5
120014X	M14	14	18,0	32,0	405	295	6900	84,5	5
120016X	M16	16	18,0	33,0	446	313	9400	100,0	5
120020	M20	19	24,0	48,0	550	390	14000	197,0	BULK
! 120022	M22	22	30,0	57,0	653	472	18200	448,0	BULK
120024	M24	25	30,0	62,0	769	536	21000	638,0	BULK

Note: All breakloads are determined by clevis pin and thread

! M20> M24 Available with threaded Bronze inserts in a S/S Body



RIGGING SCREWS

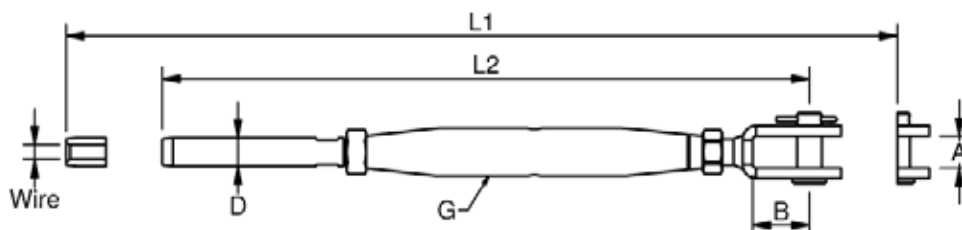
FORK/TERMINAL METRIC

High Polished Stainless Steel - AISI 316

ART. NO.	G	WIRE	PIN	A	B	D	L1	L2	B.L. KG.	KG/100	PACK
120205	M5	2,0	5	7,5	9,4	5,50	206	152	800	4,5	10
122505	M5	2,5	5	7,5	9,4	5,50	206	152	800	4,6	10
120306	M6	3,0	5	7,5	9,4	6,35	232	170	1200	8,5	10
120306X	M6	3,0	6	9,5	10,4	6,35	233	171	1200	8,5	10
120406	M6	4,0	5	7,5	10,4	7,50	242	180	1200	8,7	10
120406X	M6	4,0	6	9,5	10,4	7,50	242	180	1200	9,1	10
120408	M8	4,0	6	9,5	10,4	7,50	275	199	1600	13,0	10
120408X	M8	4,0	8	11,0	12,2	7,50	277	201	1700	13,0	10
120508	M8	5,0	6	9,5	13,0	9,00	281	205	1600	13,2	10
120510	M10	5,0	8	11,0	14,0	9,00	312	228	2500	22,5	10
120510X	M10	5,0	9,5	12,0	14,0	9,00	316	232	2500	22,5	10
120610	M10	6,0	8	11,0	15,0	12,58	327	243	3200	25,6	10
120612	M12	6,0	12	14,0	18,5	12,58	393	287	5100	47,5	5
120714X	M14	7,0	14	18,0	33,0	14,20	453	335	6800	68,8	5
120816X	M16	8,0	16	18,0	33,3	16,00	499	366	8700	89,5	5
121020	M20	10,0	19	24,0	38,3	17,80	587	427	9700	170,1	Bulk
121220	M20	12,0	19	24,0	38,3	20,00	606	446	11500	170,1	Bulk
* 121220X	M20	12,0	19	24,0	38,3	21,40	622	462	14200	170,1	Bulk
121422	M22	14,0	22	30,0	44,0	25,00	736	555	15900	452,0	Bulk
121624	M24	16,0	25,4	30,0	47,8	28,00	874	641	19400	662,0	Bulk

* Note: Terminal OD. = 21,4 mm

! M20> M24 Available with threaded Bronze inserts in a S/S Body



FORK/FORK UNF

High Polished Stainless Steel - AISI 316

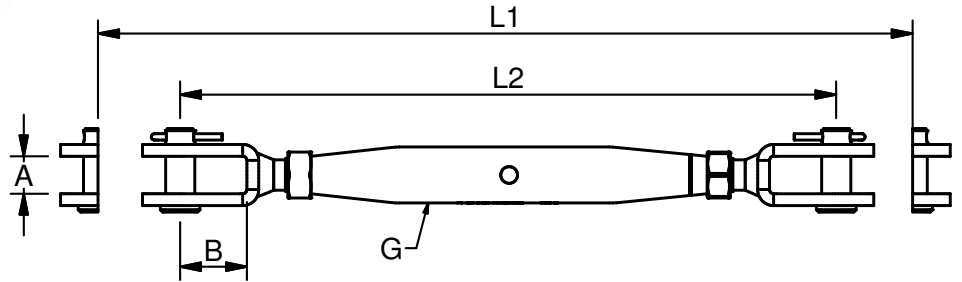
The price favourable and durable Stainless Steel Rigging Screw line from Blue Wave has been a favourite among Riggers and yachtsmen for the last 50 years. It offers a variety of features. Laser engraved thread size, Blue Wave logo, and side marking of the left thread.



ART.NO.	THREAD G	PIN	A	B	L1	L2	KW	BL/KG	KG/100	PACK
120006A	1/4"	6,35	9,5	13	232	140	-	1300	10,0	10
120008A	5/16"	8,0	11	15	242	168	-	2200	15,0	10
120010A	3/8"	9,5	12	19	274	190	-	3400	25,1	5
120011A	7/16"	11,0	12	22	310	219	-	4600	35,2	5
120012A	1/2"	12,7	14	25	350	244	-	6100	54,5	5
120016AX	5/8"	16,0	18	33	447	314	-	9900	100,0	5
120020A	3/4"	19,0	24	48	548	388	-	14400	197,0	BULK
120022A	7/8"	22,0	30	57	652	471	41	19600	430,0	BULK
120025A	1"	25,4	30	62	766	536	46	21400	643,0	BULK

Note: All break loads are determined by clevis pin and thread.

7/8" - 1" S/S Body with Bronze inserts & Key Width



FORK/TERMINAL UNF

High Polished Stainless Steel - AISI 316

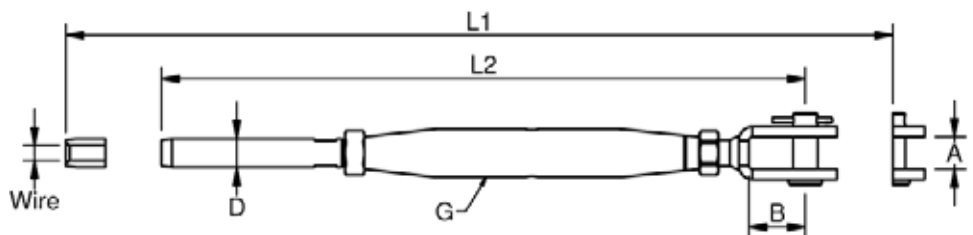
The price favourable and durable Stainless Steel Rigging Screw line from Blue Wave has been a favourite among Riggers and yachtsmen for the last 50 years. It offers a variety of features. Laser engraved thread size, Blue Wave logo, and side marking of the left thread.



ART.NO.	THREAD G	WIRE	PIN	A	B	L1	L2	KW	BL/KG	KG/100	PACK	
120306A	1/4"	3,0	1/8"	6,35	9,5	13	233	170	-	1300	8,7	10
120406A	1/4"	4,0	5/32"	6,35	9,5	13	242	180	-	1300	9,0	10
120408A	5/16"	4,0	5/32"	8,0	11	15	275	199	-	1700	13,3	10
120508A	5/16"	5,0	3/16"	6,4	9,5	19	281	205	-	2200	13,5	10
120510A	3/8"	5,0	3/16"	9,5	12	19	306	222	-	2400	23,2	10
125510A	3/8"	-	7/32"	9,5	12	22	314	230	-	3400	24,5	10
120611A	7/16"	6,0	-	11,0	12	22	362	272	-	4600	36,2	5
120711A	7/16"	7,0	9/32"	11,0	12	25	367	277	-	4600	34,3	5
120612A	1/2"	6,0	-	12,7	14	25	393	287	-	5400	46,0	5
126312A	1/2"	-	1/4"	12,7	14	33	393	287	-	5200	46,0	5
120816AX	5/8"	8,0	5/16"	16,0	18	48	499	366	-	8700	88,5	5
129520A	3/4"	-	3/8"	19,0	24	48	587	427	-	10200	170,0	BULK
121020A	3/4"	10,0	-	19,0	24	48	587	427	-	9700	170,0	BULK
121220A	3/4"	12,0	-	19,0	24	48	602	442	-	11200	172,0	BULK
* 121220AX	3/4"	12,0	-	19,0	24	48	622	462	-	14000	173,0	BULK
* 121320A	3/4"	-	1/2"	19,0	24	57	623	463	41	12900	175,0	BULK
121422A	7/8"	14,0	-	22,0	30	62	736	555	46	15900	386,0	BULK
121425A	1"	14,0	-	25,4	30	62	843	613	46	15900	580,0	BULK
121625A	1"	16,0	5/8"	25,4	30	13	871	641	46	19400	597,0	BULK

* Note: Terminal OD.=21.4mm

7/8" - 1" S/S Body with Bronze inserts & Key Width

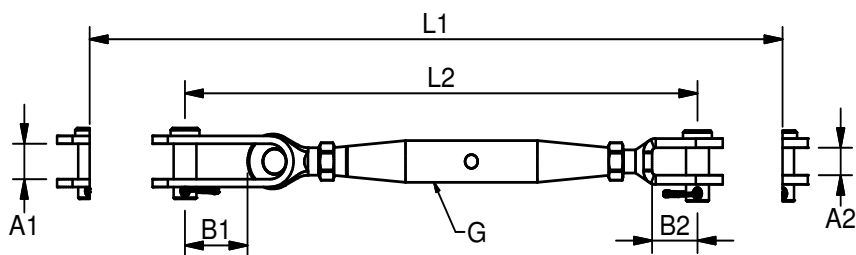


TOGGLE/FORK UNF

High Polished Stainless Steel - AISI 316

ART. NO.	THREHD G	PIN SIZE	A1	A2	B1	B2	L1	L2	KW	BL/KG	KG/100	PACK
320006A	1/4"	6,35	8,0	9,5	17	13	222	157	-	1300	10,8	10
320008A	5/16"	8,0	10,0	11,0	20	15	268	192	-	2200	19,5	10
320010A	3/8"	9,5	12,0	12,0	26	19	306	222	-	3400	32,5	5
320011AX	7/16"	11,0	15,0	12,0	28	22	347	257	-	4600	45,0	5
320012AX	1/2"	12,7	18,0	14,0	35	25	378	272	-	6100	71,0	5
320016AX	5/8"	16,0	20,0	18,0	41	33	493	361	-	9900	116,0	BULK
320020AX	3/4"	19,0	24,0	24,0	45	48	582	422	-	14400	207,0	BULK
320022AX	7/8"	22,0	26,0	30,0	49	57	695	515	41	19600	520,0	BULK
320025AX	1"	25,4	29,0	30,0	59	62	818	589	46	21400	767,7	BULK

7/8" - 1" S/S Body with Bronze inserts & Key Width



The price favourable and durable Stainless Steel Rigging Screw line from Blue Wave has been a favourite among Riggers and yachtsmen for the last 50 years. It offers a variety of features. Laser engraved thread size, Blue Wave logo, and side marking of the left thread.



RIGGING SCREWS

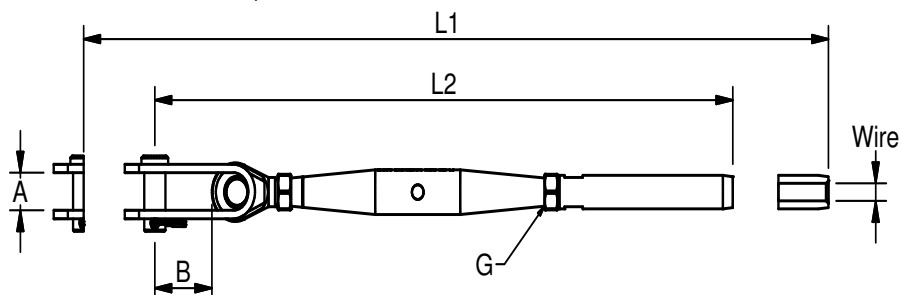
TOGGLE/TERMINAL UNF

High Polished Stainless Steel - AISI 316

ART.NO.	THREAD G	WIRE	PIN	A	B	L1	L2	KW	BL/KG	KG/100	PACK	
320306A	1/4"	3	1/8"	6,35	8	17	253	191	-	1300	10,7	10
320406A	1/4"	4	5/32"	6,35	8	17	263	201	-	1300	11,0	10
320408A	5/16"	4	5/32"	8,0	10	20	304	228	-	1700	16,4	10
320508A	5/16"	5	3/16"	8,0	10	20	310	234	-	2200	16,6	10
320510A	3/8"	5	3/16"	9,5	12	26	342	258	-	2400	28,2	5
325510A	3/8"	-	7/32"	9,5	12	26	350	266	-	3400	30,0	5
320610A	3/8"	6	-	9,5	12	26	357	273	-	3400	31,3	5
320611AX	7/16"	6	-	11,0	15	28	400	310	-	4600	41,4	5
320711AX	7/16"	7	9/32"	11,0	15	28	405	315	-	4600	41,4	5
320612AX	1/2"	6	-	12,7	18	35	421	315	-	5400	64,8	5
326312AX	1/2"	-	1/4"	12,7	18	35	421	315	-	5200	65,0	5
320712AX	1/2"	7	9/32"	12,7	18	35	429	323	-	6100	68,0	5
320812AX	1/2"	8	5/16"	12,7	18	35	444	338	-	6100	73,2	5
320816AX	5/8"	8	5/16"	16,0	20	41	545	413	-	8700	105,2	BULK
329520AX	3/4"	-	3/8"	19,0	24	45	621	461	-	10200	169,0	BULK
321020AX	3/4"	10	-	19,0	24	45	621	461	-	9700	169,0	BULK
321220AX	3/4"	12	-	19,0	24	45	636	466	-	11400	179,0	BULK
* 321220AXX	3/4"	12	-	19,0	24	45	656	496	-	14000	179,0	BULK
* 321320AX	3/4"	-	1/2"	19,0	24	45	657	497	-	12900	181,0	BULK
321422AX	7/8"	14	-	22,0	26	49	779	598	41	15900	500,0	BULK
321625AX	1"	16	5/8"	25,4	29	59	923	694	46	19400	742,0	BULK
321927AX	1-1/8"	19	3/4"	28,0	34	60	1038	778	50	27600	990,0	BULK
322230AX	1-1/4"	22	7/8"	32,0	40	69	1172	882	55	34600	1385,0	BULK
322636AX	1-3/8"	26	1"	36,0	44	77	1303	993	60	42400	1717,0	BULK

7/8" - 1-3/8" S/S Body with Bronze inserts & Key Width

* Note: Terminal OD. =21,4



The price favourable and durable Stainless Steel Rigging Screw line from Blue Wave has been a favourite among Riggers and yachtsmen for the last 50 years. It offers a variety of features. Laser engraved thread size, Blue Wave logo, and side marking of the left thread.



BALL/TERMINAL UNF

High Polished Stainless Steel - AISI 316 - Chromed Bronze Body

The Blue Wave Chromed Bronze Body features a number of details that makes it the best choice for exclusive and durable rigging. The sleek, open Bronze body prevents the threads from siezing up, they are delivered with laser engraved thread size, Blue Wave logo, and side marking of the left thread.

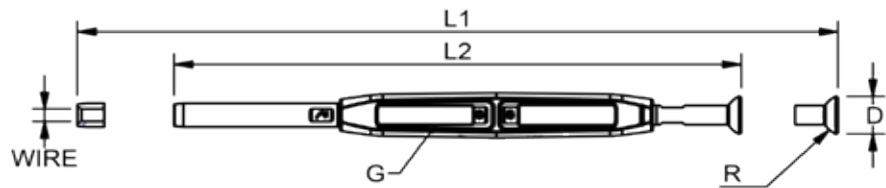


ART.NO.	THREAD G	WIRE	D	R	L1	L2	KG/100	BL/KG	PACK
630306A	1/4"	3 1/8"	13	6	244	182	10,3	1300	BULK
630408A	5/16"	4 5/32"	19	7	305	215	14,6	1700	BULK
630510A	3/8"	5 3/16"	19	7	324	240	21,5	2400	BULK
630610A	3/8"	6 -	19	7	339	255	24,6	3400	BULK
630611A	7/16"	6 -	20	7	370	280	33,6	4600	BULK
630711A	7/16"	7 9/32"	20	7	375	285	36,3	4600	BULK
630712A	1/2"	7 9/32"	20	7	415	309	49,6	6100	BULK
630812A	1/2"	8 5/16"	20	7	430	324	54,8	6100	BULK
630816A	5/8"	8 5/16"	25	10	499	367	88,7	8700	BULK
631016A	5/8"	10 -	25	10	508	376	92,9	9700	BULK
631220A	3/4"	12 -	28	14	597	437	138,8	11400	BULK
* 631220AX	3/4"	12 -	28	14	613	453	138,8	14000	BULK

* Note: Terminal OD. = 21,4 mm

Note: All break loads are determined by clevis pin and thread.

The user is responsible for choosing the proper cable diameter and for correct assembly.



TOGGLE/TERMINAL UNF

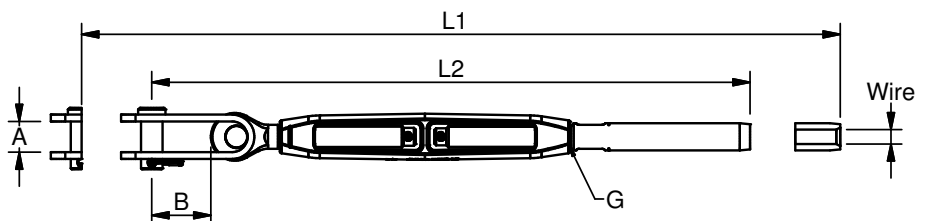
High Polished Stainless Steel - AISI 316 - Chromed Bronze Body



ART.NO.	THREAD G	WIRE	PIN	A	B	L1	L2	BL/KG	KG/100	PACK
330306A	1/4"	3 1/8"	6,35	8	17	255	193	1300	12,7	10
330406A	1/4"	4 5/32"	6,35	8	17	265	203	1300	13,0	10
330408A	5/16"	4 5/32"	8,0	10	20	304	228	1700	17,4	10
330508A	5/16"	5 3/16"	8,0	10	20	310	234	2200	18,5	10
330510A	3/8"	5 3/16"	9,5	12	26	349	265	2400	28,2	5
335510A	3/8"	7/32"	9,5	12	26	357	273	3400	29,0	5
330610A	3/8"	6 -	9,5	12	26	364	280	3400	32,5	5
330611AX	7/16"	6 -	11,0	15	28	397	307	4600	47,5	5
330711AX	7/16"	7 9/32"	11,0	15	28	408	318	4600	47,5	5
330612AX	1/2"	6 -	12,7	18	35	425	319	5400	74,0	5
336312AX	1/2"	1/4"	12,7	18	35	425	319	5200	75,0	5
330712AX	1/2"	7 9/32"	12,7	18	35	433	327	6100	77,0	5
330812AX	1/2"	8 5/16"	12,7	18	35	448	342	6100	82,0	5
330816AX	5/8"	8 5/16"	16,0	20	41	536	404	8700	126,0	BULK
331016AX	5/8"	10 -	16,0	20	41	545	413	9700	135,0	BULK
339520AX	3/4"	3/8"	19,0	24	45	625	465	10200	190,0	BULK
331020AX	3/4"	10 -	19,0	24	45	625	465	9700	190,0	BULK
331220AX	3/4"	12 -	19,0	24	45	640	480	11400	200,0	BULK
* 331220AXX	3/4"	12 -	19,0	24	45	660	500	14000	200,0	BULK
* 331320AX	3/4"	1/2"	19,0	24	45	661	501	12900	202,0	BULK
* 331222AX	7/8"	12 -	22,0	26	49	786	592	14000	311,0	BULK
331422AX	7/8"	14 -	22,0	26	49	794	600	15900	309,0	BULK
331425AX	1"	14 -	25,4	29	59	932	692	15900	512,0	BULK
331625AX	1"	16 5/8"	25,4	29	59	940	700	19400	505,0	BULK
331927AX	1 1/8"	19 -	28,0	34	62	1034	790	27600	857,9	BULK
332230AX	1 1/4"	22 -	32,0	40	69	1153	877	34600	1186,5	BULK
332636AX	1 3/8"	26 -	35,0	44	81	1296	990	42400	1613,9	BULK

*Note: Terminal OD. = 21,4 mm

Note: All break loads are determined by clevis pin and thread.



FORK/TERMINAL UNF

High Polished Stainless Steel - AISI 316 - Chromed Bronze Body

ART.NO.	THREAD G	WIRE	PIN	A	B	L1	L2	BL/KG	KG/100	PACK
130306A	1/4"	3,0 1/8"	6,35 9,5	13	236	174	1300	10,7	10	
130406A	1/4"	4,0 5/32"	6,35 9,5	13	246	184	1300	11,0	10	
130408A	5/16"	4,0 5/32"	8,0 11	15	280	204	1700	14,5	10	
130508A	5/16"	5,0 3/16"	8,0 11	15	286	210	2200	14,7	10	
130510A	3/8"	5,0 3/16"	9,5 12	19	317	233	2400	23,2	10	
135510A	3/8"	7/32"	9,5 12	19	325	241	3400	24,5	10	
130611A	7/16"	6,0	11,0 12	23	365	275	4600	36,5	5	
130711A	7/16"	7,0 9/32"	11,0 12	23	370	280	4600	34,5	5	
130612A	1/2"	6,0	12,7 14	25	397	291	5400	55,0	5	
136312A	1/2"	1/4"	12,7 14	25	397	291	5200	55,0	5	
130712A	1/2"	7,0 9/32"	12,7 14	25	405	299	6100	55,5	5	
130816AX	5/8"	8,0 5/16"	16,0 18	33	496	364	8700	109,5	BULK	
131016AX	5/8"	10,0	16,0 18	33	509	375	9700	113,7	BULK	
139520A	3/4"	3/8"	19,0 24	48	591	431	10200	191,0	BULK	
131020A	3/4"	10,0	19,0 24	48	591	431	9700	191,0	BULK	
131220A	3/4"	12,0	19,0 24	48	606	446	11400	194,0	BULK	
* 131220AX	3/4"	12,0	19,0 24	48	626	466	14000	196,0	BULK	
* 131320A	3/4"	1/2"	19,0 24	48	627	467	12900	196,0	BULK	
131422A	7/8"	14,0	22,0 26	56	794	600	15900	304,0	BULK	
131625A	1"	16,0 5/8"	25,4 29	62	940	700	19400	445,0	BULK	

* Note: Terminal OD. = 21,4 mm

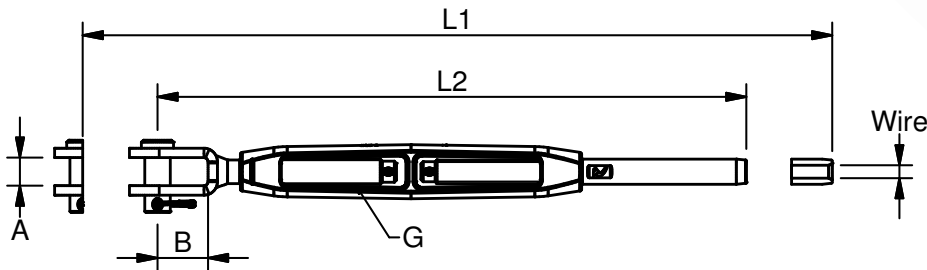
Note: All break loads are determined by clevis pin and thread.

The user is responsible for choosing the proper cable diameter and for correct assembly.

The Blue Wave Chromed Bronze Body features a number of details that makes it the best choice for exclusive and durable rigging. The sleek, open Bronze body prevents the threads from seizing up, they are delivered with laser engraved thread size, Blue Wave logo, and side marking of the left thread.



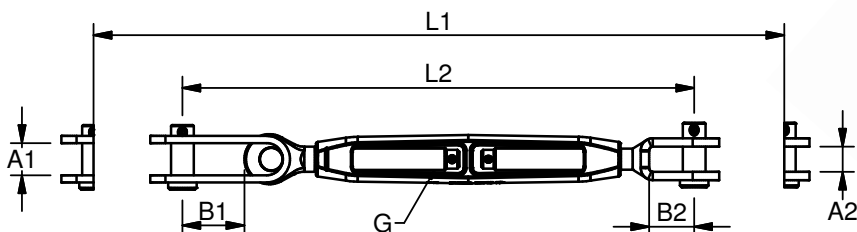
RIGGING SCREWS



TOGGLE/FORK UNF

High Polished Stainless Steel - AISI 316 - Chromed Bronze Body

ART.NO.	THREAD G	PIN	A1	A2	B1	B2	L1	L2	BL/KG	KG/100	PACK
330006A	1/4"	6,35	8	10	17	13	225	163	1300	12,8	10
330008A	5/16"	8,0	10	11	20	15	268	192	2200	20,5	10
330010A	3/8"	9,5	12	12	26	19	313	229	3400	32,5	5
330011AX	7/16"	11,0	15	12	28	23	350	260	4600	54,0	5
330012AX	1/2"	12,7	18	14	35	25	382	276	6100	80,0	5
330016AX	5/8"	16,0	20	18	41	33	491	359	9900	137,0	BULK
330020AX	3/4"	19,0	24	24	45	48	586	426	14400	228,0	BULK
330022AX	7/8"	22,0	26	30	49	56	710	516	19600	410,0	BULK
330025AX	1"	25,4	29	30	59	62	835	595	21400	575,0	BULK



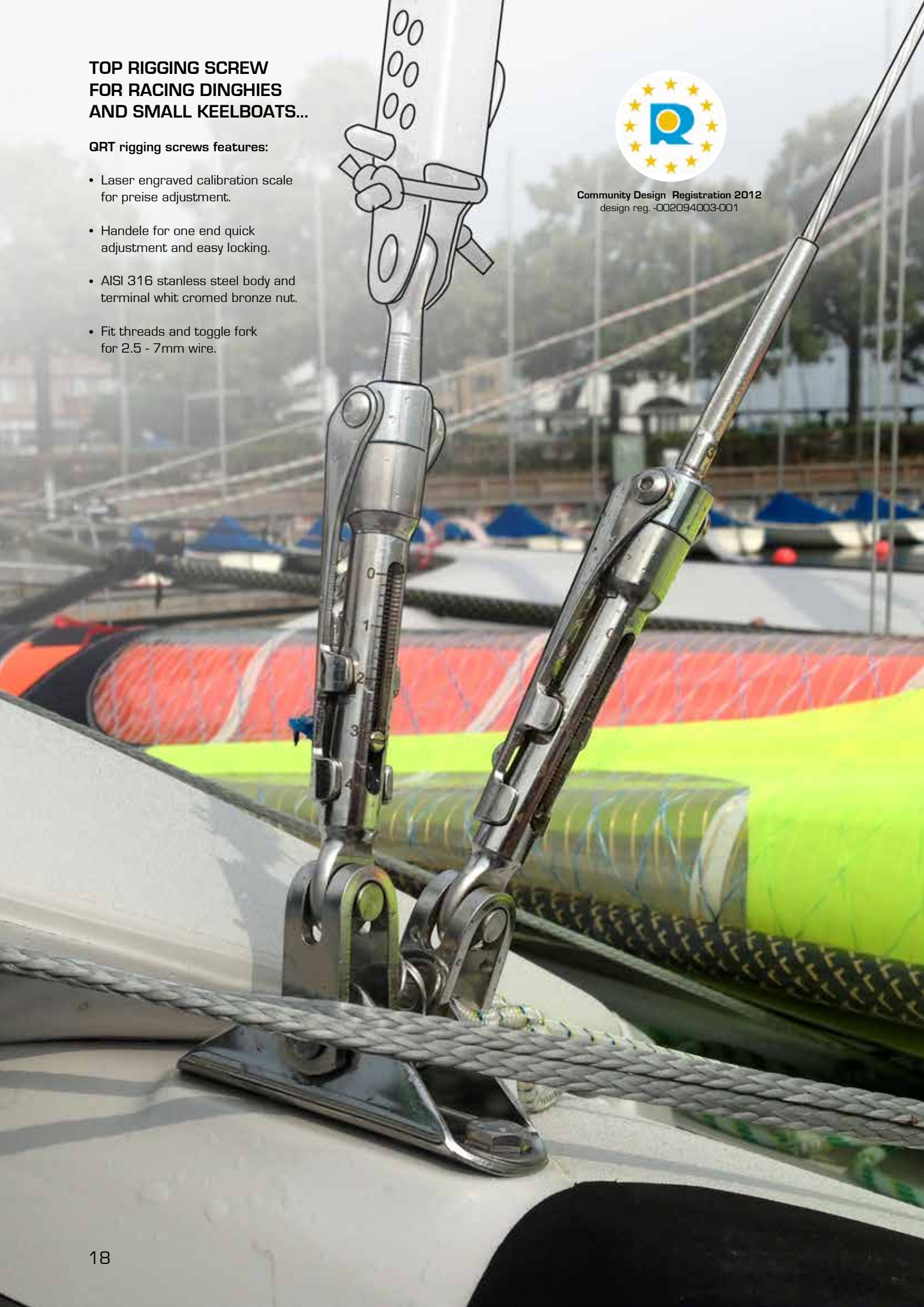
TOP RIGGING SCREW FOR RACING DINGHIES AND SMALL KEELBOATS...

QRT rigging screws features:

- Laser engraved calibration scale for precise adjustment.
- Handle for one end quick adjustment and easy locking.
- AISI 316 stainless steel body and terminal whit cromed bronze nut.
- Fit threads and toggle fork for 2.5 - 7mm wire.



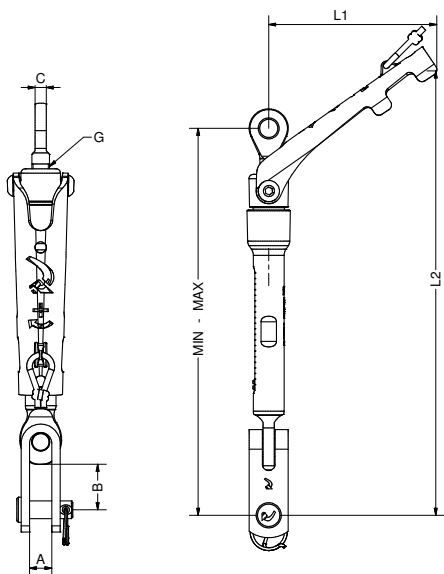
Community Design Registration 2012
design reg. -002094003-001



QUICK RACE TUNING - QRT - CALIBRATED

High Polished Stainless Steel - **AISI 316** - Toggle / Wire Terminal

ART. NO.	THREAD G	PIN	A	B	C	Min - Max	L1	L2	BL/KG	KG/100
QRT19014	1/4"	6,35	8	16	4	139-179	56	169	1300	14,3
QRT19516	5/16"	8,00	10	20	5	173-223	60	201	2200	24,7
QRT19716	7/16"	11,10	15	30	8	223-293	80	257	4600	60,7



RIGGING SCREWS

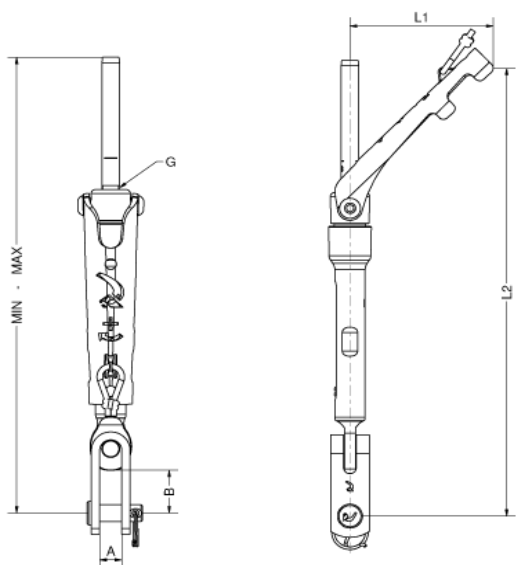


Community Design Registration 2012
design reg. -002094003-001

QUICK RACE TUNING - QRT - CALIBRATED

High Polished Stainless Steel - **AISI 316** - Toggle / Wire Terminal

ART. NO.	WIRE	THREAD G	PIN	A	B	L1	L2	Min - Max	BL/KG	KG/100
QRT25014	2,5	1/4"	6,35	8	16	52	169	166-206	1000	14,3
QRT03014	3,0	1/4"	6,35	8	16	52	169	172-212	1300	14,6
QRT32014	3,2-1/8"	1/4"	6,35	8	16	52	169	172-212	1300	14,6
QRT04516	4-5/32"	5/16"	8,00	10	20	60	201	201-251	1700	23,9
QRT05516	5-3/16"	5/16"	8,00	10	20	60	201	208-258	2200	24,8
QRT06716	6	7/16"	11,1	15	30	80	257	265-335	4600	60,7
QRT07716	7-9/32"	7/16"	11,1	15	30	80	257	272-342	4600	62,8



Community Design Registration 2012
design reg. -002094003-001

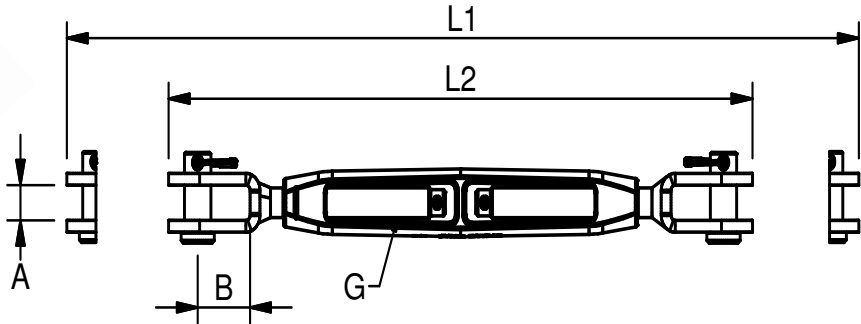
FORK/FORK UNF

High Polished Stainless Steel - AISI 316 - Cromed Bronze Body

The Blue Wave Chromed Bronze Body features a number of details that makes it the best choice for exclusive and durable rigging. The sleek, open Bronze body prevents the threads from seizing up, they are delivered with laser engraved thread size, Blue Wave logo, and side marking of the left thread.



ART.NO.	THREAD G	PIN	A	B	L1	L2	BL/KG	KG/100	PACK
130006A	1/4"	6,35	9,5	13	205	143	1300	12,0	10
130008A	5/16"	8,0	11	15	244	168	2200	16,0	10
130010A	3/8"	9,5	12	19	299	197	3400	25,0	5
130011A	7/16"	11,0	12	23	312	222	4600	35,0	5
130012A	1/2"	12,7	14	25	358	248	6100	63,5	5
130016AX	5/8"	16,0	18	33	450	312	9900	121,0	BULK
130020A	3/4"	19,0	24	48	562	392	14400	218,0	BULK
130022A	7/8"	22,0	26	57	753	559	19600	316,0	BULK
130025A	1"	25,4	29	62	888	648	21400	490,0	BULK



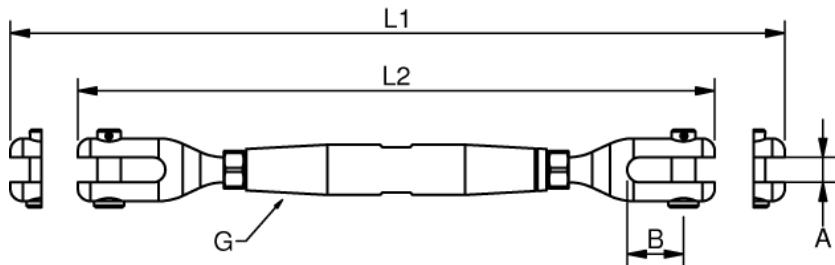
RIGGING SCREWS MACHINED FORK-FORK

High Polished Stainless Steel - AISI 316



ART. NO.	G	PIN	A	B	L1	L2	B.L. KG.	KG/100	PACK
740020	M20	19	20	45	619	453	12000	330	BULK
740022	M22	22	22	49	637	456	15000	892	BULK
740024	M24	25	25	52	763	530	18000	1193	BULK
740027	M27	28	30	55	813	578	23000	1803	BULK
740030	M30	32	35	67	918	656	28000	2614	BULK
740036	M36	35	35	67	970	696	41000	3390	BULK

Note: All breakloads are determined by clevis pin and thread



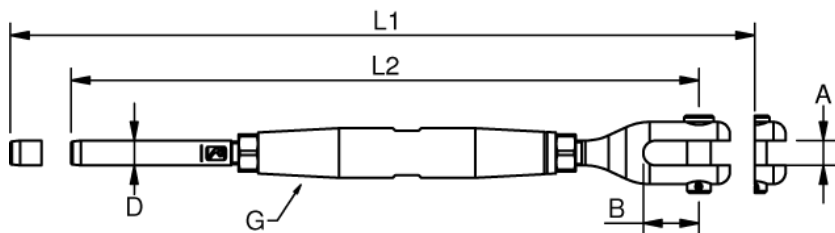
RIGGING SCREWS MACHINED FORK-TERMINAL

High Polished Stainless Steel - AISI 316



ART. NO.	G	WIRE	PIN	A	B	D	L1	L2	B.L. KG.	KG/100	PACK
741220	M20	12	19	20	45	20	646	492	11400	240	BULK
741422	M22	14	22	22	49	25	720	540	15000	649	BULK
741622	M22	16	22	22	49	28	745	565	15000	670	BULK
741624	M24	16	25	25	52	28	863	630	18000	876	BULK
741927	M27	19	28	30	55	34,5	963	728	23000	1332	BULK
742230	M30	22	32	35	67	40,5	1082	820	28000	1888	BULK
742636	M36	26	35	35	67	46	1186	912	41000	2484	BULK

Note: All breakloads are determined by clevis pin and thread



MONO RACE TUNING - MRT - CALIBRATED

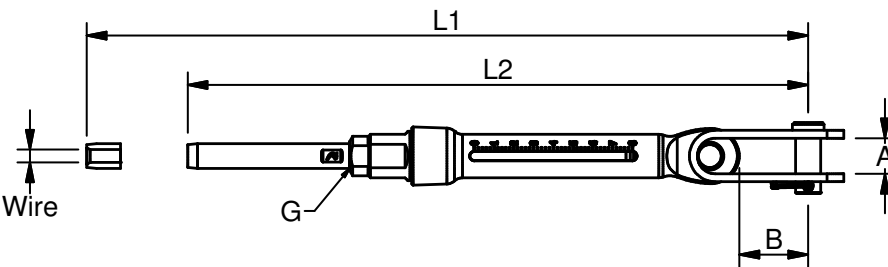
High Polished Stainless Steel - AISI 316 - Toggle/Wire Terminal

ART.NO.	WIRE	THREAD	G	A	B	L1	L2	PIN	BL/KG	PACK	KG/100
MRT03014	3,0	1/8"	1/4"	8	17	233	193	6,35	1300	BULK	11,4
MRT04014	4,0	5/32"	1/4"	8	17	256	216	6,35	1300	BULK	12,2
MRT04516	4,0		5/16"	10	20	271	221	8,0	1700	BULK	19,2
MRT05516	5,0	3/16"	5/16"	10	20	277	227	8,0	2200	BULK	20
MRT05038	5,0		3/8"	12	26	323	263	9,5	2400	BULK	35,1
MRT06716	6,0		7/16"	15	28	353	283	11,0	4600	BULK	56,3
MRT06012	6,0		1/2"	18	35	414	334	12,7	5400	BULK	79,9
MRT63012		1/4"	1/2"	18	35	414	334	12,7	5200	BULK	80,4
MRT07716	7,0		7/16"	18	28	375	305	11,0	4600	BULK	60,2
* MRT07012	7,0		1/2"	18	35	422	342	12,7	6100	BULK	80,5
* MRT08012	8,0		1/2"	18	35	436	356	12,7	6100	BULK	84,4
* MRT08058	8,0		5/8"	20	41	510	410	16	8700	BULK	142,8
* MRT10058	10,0		5/8"	20	41	561	461	16	9700	BULK	146,4
* MRT10034	10,0		3/4"	24	45	598	478	19	9700	BULK	260
*! MRT12034	12,0		3/4"	24	45	629	509	19	14200	BULK	273
* MRT14078	14,0		7/8"	26	49	698	568	22	15900	BULK	420,5
* MRT16110	16,0		1"	29	59	820	660	25,4	19400	BULK	616,4

! Note: Terminal OD. = 21,4 mm

The user is responsible for choosing the proper cable diameter and for correct assembly.

MRT's marked with "*" on request only



RIGGING SCREWS

MONO STANDARD TUNING - MST

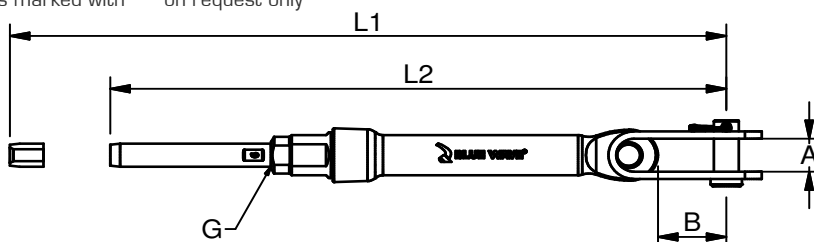
High Polished Stainless Steel - AISI 316

ART. NO.	WIRE	THREAD	G	PIN	A	B	L1	L2	BL/KG	PACK	KG/100
MST03014	3	1/8"	1/4"	6,35	8	17	233	193	1300	BULK	11,8
MST04014	4	5/32"	1/4"	6,35	8	17	256	216	1300	BULK	12,6
MST04516	4	5/32"	5/16"	8,0	10	20	271	221	1700	BULK	19,7
MST05516	5	3/16"	5/16"	8,0	10	20	277	227	2200	BULK	20,5
MST05038	5	3/16"	3/8"	9,5	12	26	323	263	2400	BULK	36,1
MST06716	6		7/16"	11,0	15	28	375	305	4600	BULK	57,5
MST06012	6		1/2"	12,7	18	35	414	334	5400	BULK	81,7
MST07716	7	9/32"	7/16"	11,0	15	28	353	283	4600	BULK	60
* MST07012	7	9/32"	1/2"	12,7	18	35	422	342	6100	BULK	82,2
* MST08012	8	5/16"	1/2"	12,7	18	35	436	356	6100	BULK	86,1
* MST08058	8	5/16"	5/8"	16,0	20	41	510	410	8700	BULK	146,9
* MST10058	10		5/8"	16,0	20	41	561	461	9700	BULK	150,5
* MST10034	10		3/4"	19,0	24	45	598	478	9700	BULK	264,7
*! MST12034	12		3/4"	19,0	24	45	629	509	14200	BULK	277,8
* MST14078	14		7/8"	22,0	26	49	698	568	15900	BULK	425,7
* MST16110	16		1"	25,4	29	59	820	660	19400	BULK	622,8

! Note: Terminal OD. = 21,4 mm

The user is responsible for choosing the proper cable diameter and for correct assembly.

MST's marked with "*" on request only

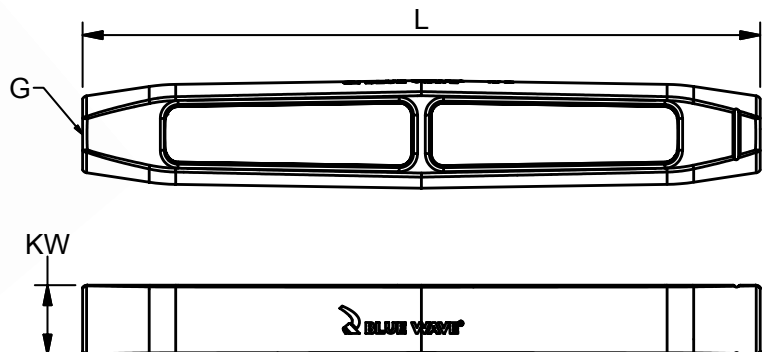




CHROMED BRONZE BODIES UNF

The Blue Wave Chromed Bronze Body features a number of details that makes it the best choice for exclusive and durable rigging. The sleek, open Bronze body prevents the threads from seizing up, they are delivered with laser engraved thread size, Blue Wave logo, and side marking of the left thread.

ART. NO.	THREAD G	L	KW	BL/KG
011306A	1/4"	100	9,0	1300
011308A	5/16"	120	11,0	2200
011310A	3/8"	135	13,0	3400
011311A	7/16"	150	15,0	4600
011312A	1/2"	170	17,4	6100
011316A	5/8"	210	20,7	9900
011320A	3/4"	250	25,4	14400
011322A	7/8"	305	30,0	19600
011325A	1"	366	35,0	21400
011327A	1 1/8"	376	40	27600
011330A	1 1/4"	418	42	34600
011336A	1 3/8"	460	48,0	42400



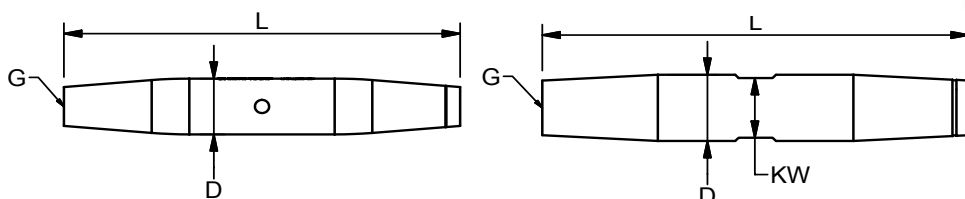
STAINLESS STEEL BODIES METRIC

High Polished Stainless Steel - AISI 316

ART. NO.	THREAD G	L	D	KW	BL/KG
O11205	M5	80	8,0	-	800
O11206	M6	92	10,0	-	1200
O11208	M8	112	13,5	-	2200
O11210	M10	120	17,2	-	3500
O11212	M12	150	21,3	-	5100
O11214	M14	170	21,3	-	6900
O11216	M16	190	26,9	-	9400
O11220	M20	220	33,7	-	14700
O11224	M24	320	43,0	-	14700
* O12320	M20	240	40,0	36	18000
* O12322	M22	270	45,0	41	21000
* O12324	M24	325	50,0	46	21000
* O12327	M27	345	55,0	50	23000
* O12330	M30	375	60,0	55	28000
* O12336	M36	410	65,0	60	41000

* SS Body with BRONZE Inserts

Note: All breakloads are determined by thread



The price favourable and durable Stainless Steel Rigging Screw line from Blue Wave offers a variety of features. Laser engraved thread size, Blue Wave logo, and side marking of the left thread.



THREADED FITTINGS

STAINLESS STEEL BODIES UNF

High Polished Stainless Steel - AISI 316

ART. NO.	THREAD G	L	D	KW	BL/KG
O11206A	1/4"	92	10,0	-	1300
O11208A	5/16"	112	13,5	-	2200
O11210A	3/8"	125	17,2	-	3400
O11211A	7/16"	150	21,3	-	4600
O11212A	1/2"	150	21,3	-	6100
O11216A	5/8"	190	26,9	-	9900
O11220A	3/4"	220	33,7	-	14400
* O12322A	7/8"	270	45,0	41	19600
* O12325A	1"	325	50,0	46	21400
* O12327A	1 1/8"	345	55,0	50	27600
* O12330A	1 1/4"	375	60,0	55	34600
* O12336A	1 3/8"	410	65,0	60	42400

* SS Body with BRONZE Inserts

Note: All breakloads are determined by thread



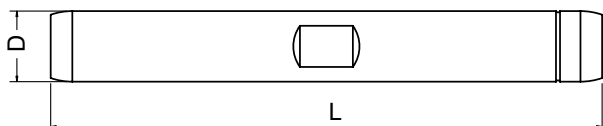
STAINLESS STEEL BODIES MACHINED UNF

High Polished Stainless Steel - AISI 316

ART. NO.	THREAD G	L	D	BL/KG
O12310A	3/8"	125	16	3400
O12311A	7/16"	150	18	4600
O12312A	1/2"	150	20	6100
O12316A	5/8"	190	25	9900

SS Body with BRONZE Inserts

Note: All breakloads are determined by thread



Laser engraved thread size, Blue Wave logo, side marking of the left thread and bronze inserts.



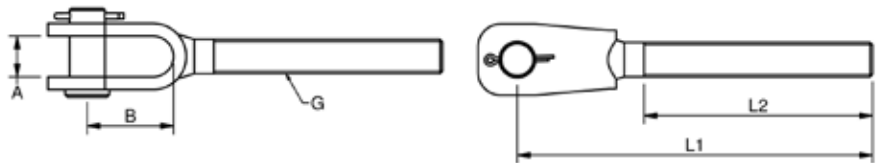
WELDED THREAD FORKS METRIC

High Polished Stainless Steel - AISI 316

Welded forks with thread and pin for rigging screws, inside thread parts or other terminations. Available with left handed and right handed thread -also UNF sizes on request.

NO. RIGHT	NO. LEFT	G	PIN	A	B	L1	L2	B.L.	KG/100	PACK
021205B	031205B	M5	5	7,5	12	60	41	800	1,9	10
021206B	031206B	M6	5	7,5	12	67	47	1000	2,3	10
021206XB	031206XB	M6	6	9,5	13	68	47	1200	2,8	10
021208B	031208B	M8	6	9,5	13	79	57	1600	3,9	10
021208XB	031208XB	M8	8	11	15	82	57	2200	5,5	10
021210B	031210B	M10	8	11	15	90	63	3200	6,9	10
021210XB	031210XB	M10	10	12	19	94	63	3400	7,8	10
021212B	031212B	M12	12	14	25	119	80	5000	17,0	5
021212XB	031212XB	M12	14	18	33	129	80	5000	26,3	5
021214B	031214B	M14	12	18	25	137	90	6900	30,1	5
021216XB	031216XB	M16	14	18	33	151	100	9400	36,9	5
021220B	031220B	M20	19	24	48	191	120	14000	71,9	BULK
021222B	031222B	M22	22	30	57	224	140	18000	120,1	BULK
021224B	031224B	M24	25	30	62	258	170	21000	180,0	BULK

Note: All breakloads are determined by clevis pin and thread



WELDED THREAD FORKS UNF

High Polished Stainless Steel - AISI 316

NOTE: DRILLED FOR SPLIT PIN

For right hand thread drilled use 0213 instead of 0212

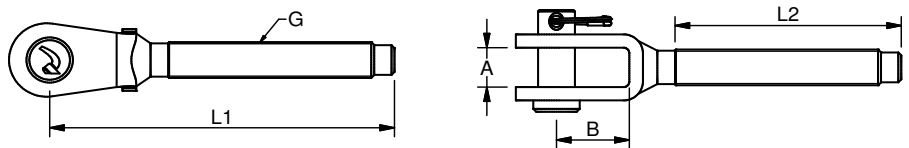
For left hand thread drilled use 0313 instead of 0312

For all other measures, please refer to ART.NO. 0232 & 0332

ART. NO. RIGHT	ART. NO. LEFT	THREAD G	PIN	A	B	L1	L2	BL/kg	KG/100
021206AB	031206AB	1/4"	6,35	9,5	13	68,0	47,0	1300	2,3
021208AB	031208AB	5/16"	8,0	11,0	15,0	81,0	57,0	2200	3,9
021210AB	031210AB	3/8"	9,5	12,0	19	94,0	63,0	3400	6,9
021211AB	031211AB	7/16"	11,0	12,0	23	104,0	80,0	4600	10
021212AB	031212AB	1/2"	12,7	14,0	25,0	119,0	80,0	6100	17
021216AB	031216AB	5/8"	14,0	18,0	33,0	151,0	100,0	9900	35,2
021216AXB	031216AXB	5/8"	16,0	18,0	33,0	151,0	100,0	9900	37,3
021220AB	031220AB	3/4"	19,0	24,0	48,0	191,0	119,0	14400	71,9
021222AB	031222AB	7/8"	22,0	30,0	56,0	224,5	140,0	19600	120,1
021225AB	031225AB	1"	25,4	30,0	62,0	258,0	170,0	21400	180

Note: All break loads are determined by clevis pins & thread.

The user is responsible for choosing the proper cable diameter and for correct assembly.



THREAD EYES

High Polished Stainless Steel - AISI 316

ART. NO. RIGHT	ART. NO. LEFT	THREAD G	D1	D2	L1	L2	T	BL/KG	KG/100	PACK
021906A	031906A	1/4"	6,5	14	65	47	4	1300	1,5	25
021908A	031908A	5/16"	8,5	17	78	57	5	2200	3,1	25
021910A	031910A	3/8"	10,5	22	89	63	6	3400	5,1	25
021911AX	031911AX	7/16"	11,5	24	98	70	8	4600	8,9	10
021912A	031912A	1/2"	13,0	25	110	80	8	6100	10,1	10
021912AX	031912AX	1/2"	13,2	28	105	80	10	6100	12,0	10
021916A	031916A	5/8"	14,5	31	134	100	10	9900	20,4	10
021916AX	031916AX	5/8"	16,5	36	141	100	12	9900	25,3	10
021920A	031920A	3/4"	19,5	40	164	120	16	14400	47,7	5
021922AX	031922AX	7/8"	23	47	197	140	18	19600	74,2	BULK
021925AX	031925AX	1"	26,0	52	230	170	20	21400	108,3	BULK
021927AX	031927AX	1-1/8"	28,5	65	247	180	25	27600	132,0	BULK
021930AX	031930AX	1-1/4"	32,5	70	274	200	30	34600	188,0	BULK
021936AX	031936AX	1-3/8"	35,5	75	297	220	30	42400	250,0	BULK

NOTE: DRILLED FOR SPLIT PIN

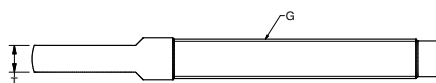
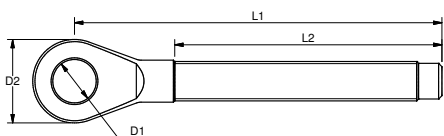
For right hand thread drilled use O239 instead of O219

For left hand thread drilled use O339 instead of O319

For all other measures. Please refer to cat. No. O219 & O319

Note: All breakloads are determined by thread.

The user is responsible for choosing the proper cable diameter and for correct assembly.



THREADED FITTINGS

THREAD TOGGLES

High Polished Stainless Steel - AISI 316

ART. NO. RIGHT	ART. NO. LEFT	THREAD G	PIN	A	B	L1	L2	L3	BL/KG	KG/100
023206AB	033206AB	1/4"	6,35	8	17	88	47	14	1300	4,6
023208AB	033208AB	5/16"	8,0	10	20	105	57	18	2200	8,3
023210AB	033210AB	3/8"	9,5	12	26	126	63	22	3400	16
023211AXB	033211AXB	7/16"	11,0	15	28	142	70	30	4600	25,2
023212AXB	033212AXB	1/2"	12,7	18	35	155	80	30	6100	31,3
023216AXB	033216AXB	5/8"	16,0	20	41	199	100	35	9900	63
023220AXB	033220AXB	3/4"	19,0	24	45	225	120	40	14400	110
023222AXB	033222AXB	7/8"	22,0	26	49	267	140	50	19600	166
023225AXB	033225AXB	1"	25,4	29	59	311	170	60	21400	277
023227AXB	033227AXB	1-1/8"	28,0	34	60	343	180	60	27600	363
023230AXB	033230AXB	1-1/4"	32,0	40	69	379	200	75	34600	536
023236AXB	033236AXB	1-3/8"	36,0	44	77	415	220	75	42400	646

NOTE: DRILLED FOR SPLIT PIN

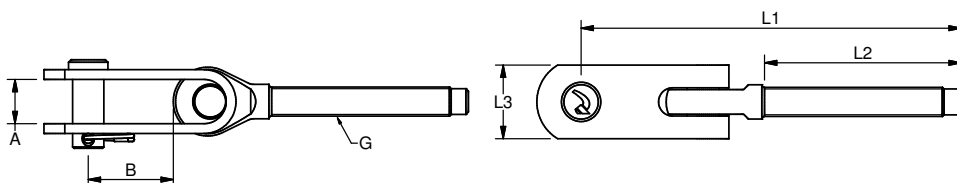
For right han thread drilled use O233 instead of O232

For left hand thread drilled use O333 instead of O332

For all other measures, please refer to ART.NO. O232 & O332

Note: All breakloads are determined by clevis pin and thread.

The user is responsible for choosing the proper cable diameter and for correct assembly.

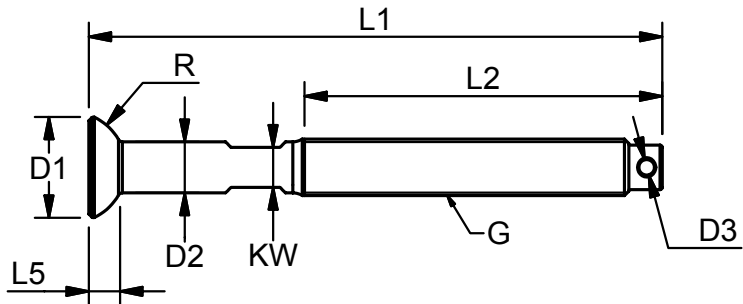


THREADED BALL FOR WIRE

High Polished Stainless Steel - AISI 316



LEFT													
ART. NO.	THREAD G	D1	D2	D3	L1	L2	L5	KW	R	BL/KG	KG/100	PACK	
BT014000A	1/4"	13	6,35	2,2	80	50	4,5	5	6	1300	3,9	BULK	
BT516000A	5/16"	19	9	2,8	92	57	7	7	7	2200	4,2	BULK	
BT038000A	3/8"	19	9,5	2,8	101	63	6	7	7	3400	5,6	BULK	
BT716000A	7/16"	20	11	3,5	111	70	6	9	7	4600	8	BULK	
BT012000A	1/2"	20	12,7	3,5	129	80	6	9	7	6100	12,2	BULK	
BT058000A	5/8"	25	16	4,5	154	100	9	12	10	9900	23,4	BULK	
BT034000A	3/4"	28	19	4,5	178	120	10	15	14	14400	38,4	BULK	
BT034000A	3/4"	28	19	4,5	178	120	10	15	14	14400	38,4	BULK	



LONG THREADED TERMINAL

High Polished Stainless Steel - AISI 316

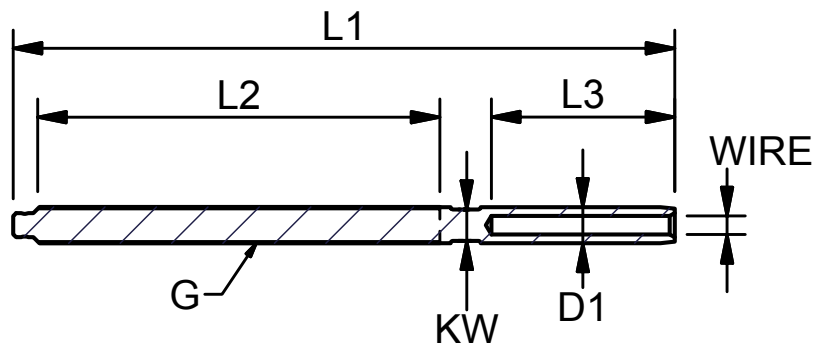
The Blue Wave extra long Thread Terminals all features, engraved wire size, Blue Wave logo, and swage depth marking for faster and easier swaging.



ART. NO.	WIRE	THREAD G	D1	L1	L2	L3	KW	BL/KG	KG/100	PACK
05M0306A	3,0	1/4"	6,4	132,0	86,0	38,0	5,0	1.300	2,6	BULK
05M0406A	4,0	1/4"	7,5	137,0	81,0	45,0	6,0	1.300	3,0	BULK
05M0408A	4,0	5/16"	7,5	147,0	93,0	45,0	6,0	1.700	4,3	BULK
05M0508A	5,0	5/16"	9,0	156,0	93,0	51,0	7,0	2.200	5,2	BULK
05M0510A	5,0	3/8"	9,0	176,0	115,0	51,0	7,0	2.400	7,7	BULK
05M0611A	6,0	7/16"	12,6	206,0	123,0	64,0	11,0	4.600	14,5	BULK
05M0711A	7,0	7/16"	14,2	211,0	123,0	70,0	12,0	4.600	16,8	BULK
05M0612A	6,0	1/2"	12,6	224,0	149,0	64,0	11,0	5.400	18,7	BULK
05M6312A	1/4"	1/2"	12,7	224,0	149,0	64,0	11,0	5.300	18,7	BULK
05M0712A	7,0	1/2"	14,2	232,0	149,0	70,0	12,0	6.100	21,3	BULK
05M0812A	8,0	1/2"	16,0	247,0	149,0	84,0	14,0	6.100	25,2	BULK
05M0816A	8,0	5/8"	16,0	282,0	184,0	84,0	14,0	8.700	37,4	BULK
05M1016A	10,0	5/8"	17,8	292,0	179,0	89,0	15,0	9.700	41,6	BULK
05M1220A	12,0	3/4"	21,4	368,0	225,0	120,0	19,0	14.200	72,2	BULK
05M1422A	14,0	7/8"	25,0	415,0	255,0	140,0	22,0	15.900	112,0	BULK
05M1625A	16,0	1"	28,0	480,0	293,0	160,0	25,0	19.400	164,4	BULK

Note: All breakloads are determined by thread.

The user is responsible for choosing the proper cable diameter and for correct assembly



THREAD TERMINALS UNF

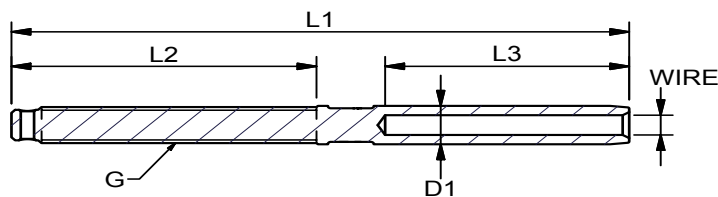
Stainless Steel - AISI 316

ART. NO. RIGHT	ART. NO. LEFT	WIRE	THREAD G	D1	L1	L2	L3	BL/KG	KG/100	PACK
900306A	910306A	3,0 1/8"	1/4"	6,35	100	48	38	1300	2,2	BULK
900406A	910406A	4,0 5/32"	1/4"	7,5	110	48	45	1300	2,5	BULK
900408A	910408A	4,0 5/32"	5/16"	7,5	117	57	45	1700	3,8	BULK
900508A	910508A	5,0 3/16"	5/16"	9,0	123	57	51	2200	4,0	BULK
900510A	910510A	5,0 3/16"	3/8"	9,0	130	63	51	2400	5,3	BULK
900610A	910610A	6,0	3/8"	12,58	145	63	64	3400	8,4	BULK
906310A	916310A	1/4"	3/8"	12,58	145	63	64	3400	8,3	BULK
900611A	910611A	6,0	7/16"	12,58	157	68	64	4600	10,0	BULK
900711A	910711A	7,0 9/32"	7/16"	14,2	162	68	70	4600	12,7	BULK
900612A	910612A	6,0	1/2"	12,58	162	80	64	5400	10,8	BULK
906312A	916312A	1/4"	1/2"	12,58	162	80	64	5200	11,0	BULK
900712A	910712A	7,0 9/32"	1/2"	14,2	170	80	70	6100	14,0	BULK
900812A	910812A	8,0 5/16"	1/2"	16,0	185	80	83	6100	19,2	BULK
900816A	910816A	8,0 5/16"	5/8"	16,0	203	100	83	8700	25,9	BULK
909516A	919516A	3/8"	5/8"	17,8	210	100	89	8700	31,1	BULK
901016A	911016A	10,0	5/8"	17,8	212	100	89	9700	30,1	BULK
909520A	919520A	3/8"	3/4"	17,8	230	120	89	10200	38,7	BULK
901020A	911020A	10,0	3/4"	17,8	230	120	89	9700	39,1	BULK
* 901220AX	911220AX	12,0	3/4"	21,4	265	120	120	14200	48,6	BULK
* 901320A	911320A	1/2"	3/4"	21,4	266	120	120	12900	48,6	BULK
901422A	911422A	14,0	7/8"	25,0	308	140	140	15900	78,7	BULK
901625A	911625A	16,0 5/8"	1"	28,0	363	170	160	19400	126,0	BULK
901927A	911927A	19,0 3/4"	1-1/8"	34,5	425	180	200	27600	210,0	BULK
902230A	912230A	22,0 7/8"	1-1/4"	40,5	480	200	230	34600	313,0	BULK
902636A	912636A	26,0 1"	1-3/8"	46,0	550	220	280	42400	470,0	BULK

* Note: Terminal OD. = 21,4 mm

Note: All breakloads are determined by thread.

The user is responsible for choosing the proper cable diameter and for correct assembly



Note: DRILLED FOR SPLIT PIN - ONLY UNF

For right hand thread drilled use 93 instead of 90

For left hand thread drilled use 94 instead of 91

For all other measures. Please refer to Cat. No 90 & 91

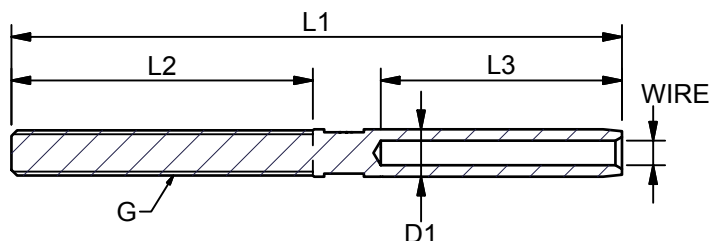
THREADED FITTINGS

THREAD TERMINALS METRIC

Stainless Steel - AISI 316

ART. NO. RIGHT	ART. NO. LEFT	WIRE	THREAD G	D1	L1	L2	L3	BL/KG	KG/100	PACK
900205	910205	2,0	M5	5,5	87	42	32	800	1,4	BULK
902505	912505	2,5	M5	5,5	87	42	32	800	1,5	BULK
900306	910306	3,0	M6	6,35	100	48	38	1200	2,0	BULK
900406	910406	4,0	M6	7,5	110	48	45	1200	2,4	BULK
900408	910408	4,0	M8	7,5	117	57	45	1700	3,0	BULK
900508	910508	5,0	M8	9,0	125	57	51	2200	4,0	BULK
900510	910510	5,0	M10	9,0	130	63	51	2500	4,5	BULK
900610	910610	6,0	M10	12,58	145	63	64	3500	8,4	BULK
900612	910612	6,0	M12	12,58	162	80	64	5100	11,0	BULK
900714	910714	7,0	M14	14,2	180	89	70	6800	16,0	BULK
900816	910816	8,0	M16	16,0	203	100	83	8700	23,0	BULK
901020	911020	10,0	M20	17,8	230	120	89	9700	35,0	BULK
901220	911220	12,0	M20	20,0	249	120	105	11400	45,0	BULK
* 901220X	911220X	12,0	M20	21,4	265	120	120	14200	50,0	BULK
901422	911422	14,0	M22	25,0	308	140	140	15900	76,8	BULK
901624	911624	16,0	M24	28,0	363	170	160	19400	111,0	BULK

* Note: Terminal OD. = 21,4 mm



The Blue Wave Thread Terminals all features, engraved wire size, Blue Wave logo, and swage depth marking for faster and easier swaging.



FORK TERMINALS - MACHINED

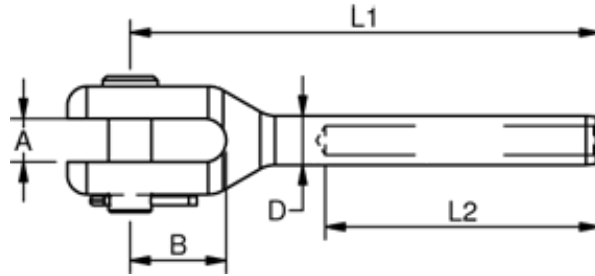
Polished Stainless Steel - AISI 316

As demand for larger wire sizes has been growing, so has the range of larger machined fittings by Blue Wave. The machined forks are, as most fittings by Blue Wave, marked with wire size and swage depth marking for ease of use.

ART. NO.	WIRE	PIN	A	B	D	L1	L2	B.L. KG.	KG/100	PACK
721912	12	19	20	45	20,0	197	105	9500	100	BULK
* 721912X	12	19	24	45	21,4	197	105	14200	110	BULK
722214	14	22	22	49	25,0	239	140	15000	170	BULK
722516	16	25	25	52	28,0	271	160	19000	210	BULK
722819	19	28	30	55	34,5	327	200	27000	330	BULK
723222	22	32	35	67	40,4	377	230	35000	480	BULK
723526	26	35	35	67	46,0	434	280	48000	700	BULK

Note: All breakloads are determined by clevis pin

* Terminal OD 21.4

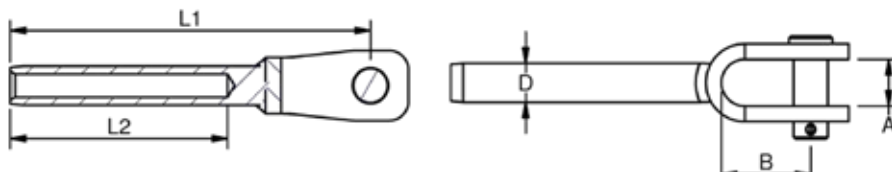


WELDED FORK TERMINALS

Polished Stainless Steel - AISI 316

ART. NO.	WIRE	PIN	A	B	D	L1	L2	BL	KG/100	PACK
100502	2 1/16"	5,0	7,5	12	5,50	58	32	800	2,0	25
100525	2,5 3/32"	5,0	7,5	12	5,50	58	32	800	2,0	25
100503	3 1/8"	5,0	7,5	12	6,35	67	38	800	2,3	25
100603	3 1/8"	6,0	9,5	13	6,35	68	38	1300	2,8	25
106303	3 1/8"	6,4	9,5	13	6,35	68	38	1300	2,8	25
100504	4 5/32"	5,0	7,5	12	7,50	71	45	800	2,7	25
100604	4 5/32"	6,0	9,5	13	7,50	73	45	1500	3,4	25
100804	4 5/32"	8,0	11,0	15	7,50	77	45	1700	4,9	25
100605	5 3/16"	6,0	9,5	13	9,00	83	51	1500	4,1	25
100805	5 3/16"	8,0	11,0	15	9,00	87	51	2400	5,5	10
109505	5 3/16"	9,5	12,0	19	9,00	91	51	2400	7,2	10
100806	6 -	8,0	11,0	15	12,58	99	64	3200	10,0	10
109506	6 -	9,5	12,0	19	12,58	104	64	3800	11,3	10
101106	6 -	11,0	13,0	23	12,58	108	64	5000	13,9	10
101163	- 1/4"	11,0	13,0	23	12,58	108	64	4800	13,9	10
101206	6 -	12,0	14,0	25	12,58	110	64	5200	17,6	10
101207	7 9/32"	12,0	14,0	25	14,20	119	70	6500	18,1	10
101208	8 5/16"	12,0	14,0	25	16,00	136	83	6500	21,6	10
101308	8 5/16"	12,7	14,0	25	16,00	136	83	6500	21,6	10
101608	8 5/16"	16,0	18,0	33	16,00	145	83	8500	25,5	10
101495	- 3/8"	14,0	18,0	30	17,80	151	89	10200	35,0	10
101410	10 -	14,0	18,0	32	17,80	151	89	9400	35,0	10
101410L	10 -	14,0	22,0	30	17,80	149	89	9400	35,0	10
101610	10 -	16,0	18,0	33	17,80	151	89	9400	35,0	10
101612	12 -	16,0	18,0	33	20,00	174	105	11200	60,0	5
101612L	12 -	16,0	22,0	31	20,00	171	105	11200	60,0	5
101912	12 -	19,0	24,0	48	20,00	189	105	11200	66,0	5
101912L	12 -	19,0	30,0	47	20,00	187	105	11200	66,0	5
* 101912X	12 -	19,0	24,0	48	21,40	205	120	14000	75,0	5
* 101913	- 1/2"	19,0	24,0	48	21,40	205	120	12900	75,0	5
101914L	14 -	19,0	30,0	47	25,00	221	140	15000	75,0	5
102214	14 -	22,0	30,0	57	25,00	232	140	15000	112,7	5
102514	14 -	25,4	30,0	62	25,00	235	140	15000	125,0	5
102516	16 -	25,4	30,0	62	28,00	264	160	19000	140,0	5

* Note: Terminal OD. = 21,4 mm



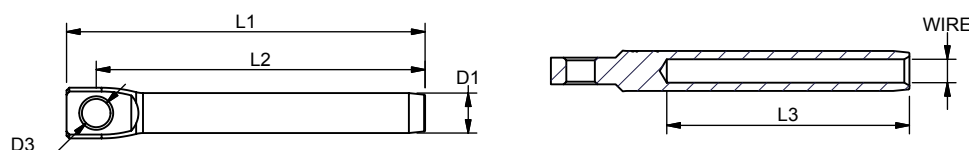
TERMINALS

LIFELINE TERMINALS

High Polished Stainless Steel - AISI 316

ART. NO.	WIRE	D1	L1	L2	L3	D3	KG/100	PACK
640003	3.0 1/8"	6,35	56	51	38	5,3	0,9	20
640004	4.0 5/32"	7,50	67	61	45	5,3	1,4	20

The user is responsible for choosing the proper cable diameter and for correct assembly



EYE TERMINAL

High Polished Stainless Steel - AISI 316

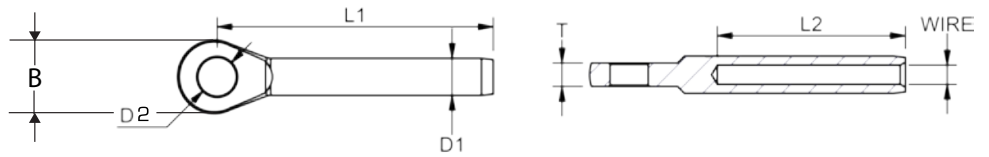
The Blue Wave Eye Terminals all features, engraved wire size, Blue Wave logo, and swage depth marking for faster and easier swaging.



ART. NO.	WIRE	B	D1	D2	L1	L2	T	BL/KG	KG/100	PACK
190002	2,0 1/16"	13	5,5	5,5	49	32	3	1200	0,9	100
190025	2,5 3/32"	13	5,5	5,5	49	32	3	1000	0,8	100
190003	3,0 1/8"	14	6,35	6,5	60	38	4	1300	1,3	100
190004	4,0 5/32"	17	7,5	8,5	67	45	5	1700	2,3	100
190005	5,0 3/16"	21	9,0	10,5	79	51	6	2400	3,9	25
190055	7/32"	21	10,8	10,5	85	59	6	3900	6,0	25
190006	6,0	25	12,58	13,0	94	64	8	5500	8,7	10
190006X	6,0	28	12,58	13,2	105	64	10	5500	13,2	10
190063	1/4"	25	12,58	13,0	95	64	8	5200	8,5	10
190063X	1/4"	28	12,58	13,2	105	64	10	5200	11,0	10
190007	7,0 9/32"	27	14,2	13,0	104	70	9	6800	11,5	10
190007X	7,0 9/32"	28	14,2	13,2	110	70	10	6800	13,5	10
190008	8,0 5/16"	30	16,0	14,5	124	83	10	8000	17,0	10
190008X	8,0 5/16"	36	16,0	16,5	141	83	12	8700	23,5	10
190095	3/8"	35	17,8	16,3	137	89	11	10200	25,3	10
190095X	3/8"	40	17,8	19,5	165	100	16	10200	38,1	10
190010	10,0	35	17,8	16,3	137	89	11	9700	25,0	10
190010BW	10,0	40	17,8	16,3	165	100	16	9700	38,0	10
190010X	10,0	40	17,8	19,5	165	100	16	9700	38,0	10
190012	12,0	40	20,0	19,3	156	105	15	11400	41,5	5
* 190012X	12,0	42	21,4	19,3	178	120	15	14200	41,0	5
* 190013	1/2"	42	21,4	19,3	178	120	15	13300	41,0	5
190014	14,0	47	25,0	23,0	206	140	18	15900	75,6	5
190016	16,0 5/8"	53	28,0	26,0	232	160	20	19000	102,0	5
190019	19,0	65	34,5	28,5	302	200	25	31000	209,0	BULK
190022	22,0	70	40,4	33,0	348	230	30	42000	314,0	BULK
190026	26,0	80	46,0	36,0	400	280	30	53000	425,0	BULK

The user is responsible for choosing the proper cable diameter and for correct assembly

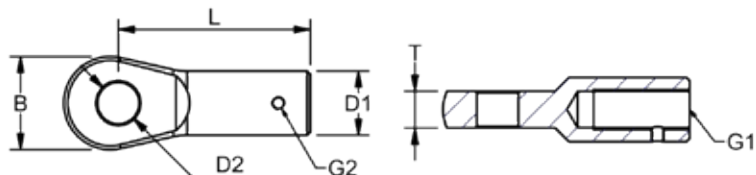
* Note: Terminal OD. = 21,4 mm



REMOVABLE EYE SYSTEM INSIDE THREADED EYES

High Polished Stainless Steel - AISI 316

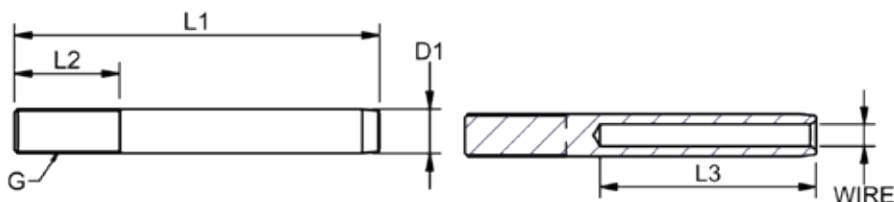
ART. NO.	G1	G2	L	T	B	D1	D2	BL/KG	KG/100	PACK
511908A	5/16"	M4	41	5	17	14,0	8,5	2200	3,8	BULK
511910A	3/8"	M4	43,0	6,0	23,0	15,0	9,8	3400	5	BULK
511911A	7/16"	M4	58,0	8,0	24,0	18,0	11,2	4600	9,2	BULK
511912A	1/2"	M4	64,0	10	30,0	20,0	13,0	6100	14,3	BULK
511916A	5/8"	M6	78,0	12,0	36,0	28,0	16,5	9900	30,7	BULK
511920A	3/4"	M6	90,0	16,0	43,0	30,0	19,5	14400	42,9	BULK



ART. NO.	WIRE	G	D1	L1	L2	L3	BL/KG	PACK	KG/100
* 510408A	4	5/16"	7,5	68	11	45	1700	BULK	1,9
* 510408	4	M8	7,5	73	12	45	1700	BULK	1,9
* 510508	5	M8	9	82	12	51	2200	BULK	2,9
510508A	5	5/16"	9	81	15	51	2200	BULK	3
510510A	5	3/8"	9	82	20	51	2400	BULK	3,3
510608	6	M8	12,58	96	12	64	2200	BULK	6,9
510611A	6	7/16"	12,58	104	30	64	4600	BULK	7,5
510612A	6	1/2"	12,58	104	30	64	5400	BULK	8,6
510712A	7	1/2"	14,20	115	30	70	6100	BULK	10,3
510812A	8	1/2"	16	123	30	83	6100	BULK	14,1
510816A	8	5/8"	16	123	30	83	8700	BULK	16,8
511016A	10	5/8"	17,80	155	40	105	9700	BULK	21,6
511020A	10	3/4"	17,80	155	40	89	9700	BULK	25,8
511220A	12	3/4"	20	185	50	120	11400	BULK	32,7
511320A	1/2"	3/4"	21,40	185	50	120	12900	BULK	35,5

* With key width

Note: All breakloads are determined by thread.

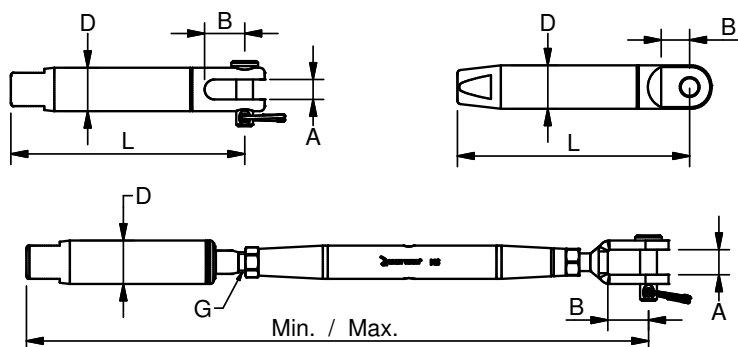


TERMINALS

PARAFIL RAILING

High Polished Stainless Steel - AISI 316

	ART. NO.	PARAFIL	THREAD	G	PIN	A	B	D	L	Min./Max.	B.L.	KG.	KG/100	PACK
Fork	840507P	Ø7			5	6	9	13	70		500	5,4	10	
Eye	821907P	Ø7			5	15	13	70			500	5,2	10	
Tumb.	870706P	Ø7	M6		5	7,5	12	13		186/252	500	10,9	10	



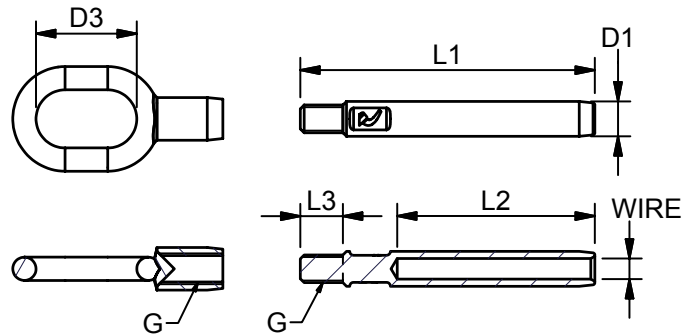
GUARD RAIL FITTINGS AND ADJUSTERS/R.SCREWS ROPE TERMINALS

High Polished Stainless Steel - AISI 316



ART. NO.	WIRE	THREAD G	L1	L2	L3	D1	D3	BL/KG	KG/100	PACK
650003	3,0 1/8"	5/16"	60	38	10	6,35	26	1300	3,9	20
650004	4,0 5/32"	5/16"	68	45	11	7,5	26	1700	4,2	20
650005	5,0 3/16"	5/16"	76	51	11	9,0	26	2200	4,9	20

The user is responsible for choosing the proper cable diameter and for correct assembly.



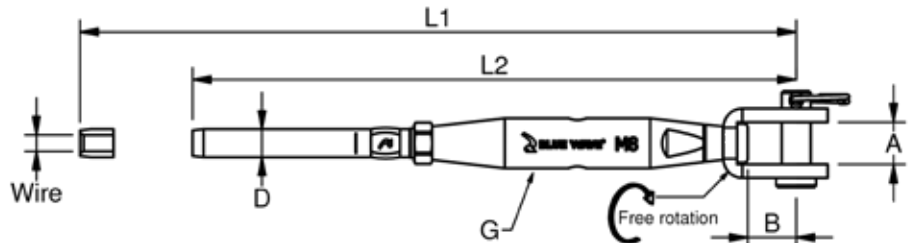
GUARD RAIL RIGGINGSCREW

High Polished Stainless Steel - AISI 316

Features a swivel for/ one side adjustment



ART. NO.	THREAD	Wire	Pin	A	B	D	L1	L2	BL/KG	KG/100	PACK
120408R	8	4	8	11	13,5	7,5	206	166	1450	12,5	10
120508R	8	5	8	11	13,5	9	214	174	2050	13,4	10
120608R	8	6	8	11	13,5	9	214	174	1520	13	10

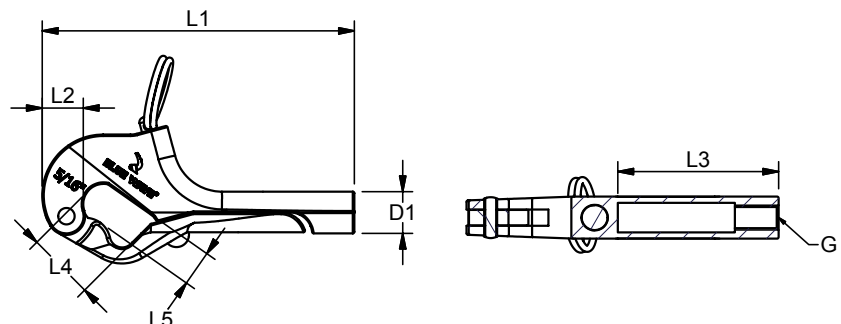


GATE-HOOK

High Polished Stainless Steel - AISI 316

This top of the line Gate-Hook, is based on the "over the center" principal. The load is carried on the body, not on the hook, for greater safety and ease of operations.

ART. NO.	THREAD SIZE	THREAD	D1	L1	L2	L3	L4	L5	BL/KG	KG/100	PACK	PCS
450008	M8	RIGHT	13,3	100,0	12,2	50,0	21,0	12,0	1500	12,6	BULK	
450008A	5/16"	LEFT	13,3	100,0	12,2	50,0	21,0	12,0	1500	12,6	BULK	
450006	M6	RIGHT	10,8	75,0	9	37,0	16,0	9,0	700	4,25	BULK	
450006A	1/4"	LEFT	10,8	75,0	9	37,0	16,0	9,0	700	4,25	BULK	



TOGGLE TERMINALS

High Polished Stainless Steel - AISI 316

ART. NO.	WIRE	PIN SIZE	A	B	D	L1	L2	L3	BL/KG	KG/100	PACK
500603	3,0 1/8"	6,35	10	17	6,35	81	38	14	1300	4,3	10
500804	4,0 5/32"	8,0	11	25	7,5	94	45	18	1700	7,3	10
509505	5,0 3/16"	9,5	13	27	9,0	116	51	23	2400	13,8	10
509555	7/32"	9,5	13	27	10,8	124	59	23	3900	16,0	10
501106X	6,0	11,0	15	29	12,58	135	64	30	4700	27,3	10
501163X	1/4"	11,0	15	29	12,58	145	64	30	4700	27,1	10
501206X	6,0	12,7	18	33	12,58	151	64	30	5400	33,4	5
501263X	1/4"	12,7	18	33	12,58	151	64	30	5200	33,2	5
501207X	7,0 9/32"	12,7	18	33	14,2	157	70	30	6500	35,7	5
501308	8,0 5/16"	12,7	18	33	16,0	170	83	30	6500	37,5	5
501608X	8,0 5/16"	15,9	20	41	16,0	198	83	35	8500	59,7	5
501610	10,0	15,9	20	41	17,8	192	89	35	9600	64,3	5
501695	3/8"	15,9	18	41	17,8	177	89	35	10200	61,2	5
501995X	3/8"	19,0	24	43	17,8	228	100	40	10200	100,1	BULK
501910X	10,0	19,0	24	43	17,8	228	100	40	9600	100,0	BULK
* 501912X	12,0	19,0	24	43	21,4	240	120	40	14200	103,0	BULK
* 501913	1/2"	19,0	24	43	21,4	240	120	40	12900	103,0	BULK
502214	14,0	22,0	26	47	25,0	277	140	50	16000	170,2	BULK
502516	16,0 5/8"	25,4	29	60	28,0	313	160	60	19400	265,5	BULK
502819	19,0 3/4"	28,0	34	63	34,5	399	200	60	27000	512,0	BULK
503222	22,0 7/8"	32,0	40	73	40,4	463	230	75	34000	570,0	BULK
503526	26,0 1"	36,0	44	80	46,0	518	280	85	45000	750,0	BULK

Note: All breakloads are determined by clevis pin

The user is responsible for choosing the proper cable diameter and for correct assembly

* Note: Terminal OD. = 21,4 mm



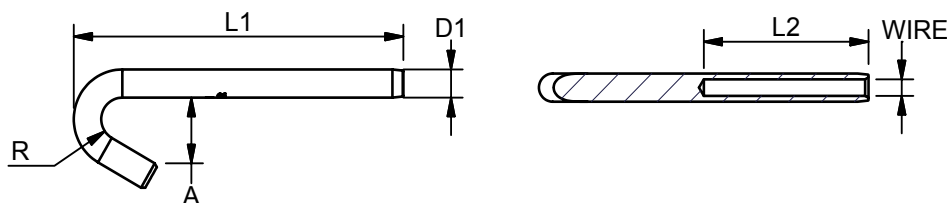
The Blue Wave Toggle Terminals all features, engraved wire size, Blue Wave logo, and swage depth marking for faster and easier swaging.

HOOK TERMINALS

High Polished Stainless Steel - AISI 316

ART. NO.	WIRE	D1	L1	L2	A	R	KG/100	PACK
630025	2,5 3/32"	6,35	68,5	32,0	12,0	8,0	1,9	20
630003	3,0 1/8"	6,35	73,0	38,0	12,0	8,0	2,0	20
630004	4,0 5/32"	7,5	90,0	45,0	18,0	11,5	3,3	20

The user is responsible for choosing the proper cable diameter and for correct assembly



The Blue Wave Hook Terminals all features, engraved wire size, Blue Wave logo, and swage depth marking for faster and easier swaging.

"T" TERMINALS

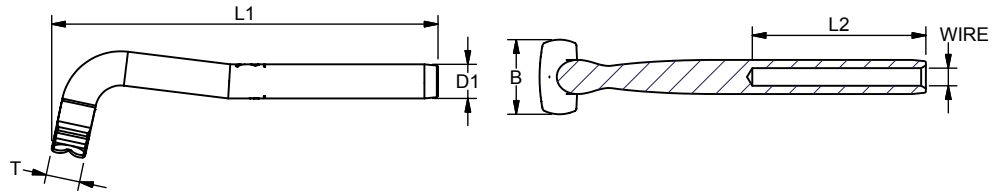
High Polished Stainless Steel - AISI 316

The Blue Wave "T" Terminals all features, engraved wire size, Blue Wave logo, and swage depth marking for faster and easier swaging.



ART. NO.	WIRE	D1	B	T	L1	L2	KG/100	PACK
610002	2,0	5,5	15,0	6,3	83	32	1,5	20
610025	2,5 3/32"	5,5	15,0	6,3	83	32	1,5	20
610003	3,0 1/8"	6,35	15,0	6,3	88	38	2,0	20
610004	4,0 5/32"	7,5	16,5	7,5	101	45	4,0	20
610005	5,0 3/16"	9,0	18,5	9,0	112	51,0	6,5	20
610006	6,0	12,58	27,5	12,58	138	64	15,0	20
610063	1/4"	12,58	27,5	12,58	138	64	15,0	10
610007	7,0 9/32"	14,2	29,0	14,2	144	70	17,0	10
610008	8,0 5/16"	16,0	34,0	16,0	184	83,0	31,5	10
610095	3/8"	17,8	35,5	17,8	208	89	34,5	10
610010	10,0	17,8	35,5	17,8	208	89	34,5	10

The user is responsible for choosing the proper cable diameter and for correct assembly



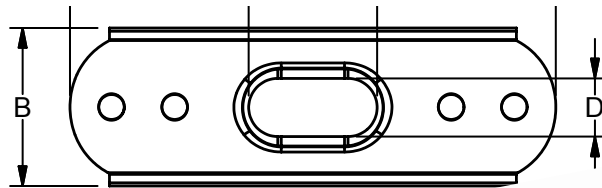
BACK PLATES FOR "T" TERMINALS

High Polished Stainless Steel - AISI 316

The Blue Wave "T" Terminals all features, engraved wire size, Blue Wave logo, and swage depth marking for faster and easier swaging.



ART. NO.	WIRE DIM.	ROD DIM	B	D	L1	L2	KG/100	PACK
616103	2,0-3,0		15	7,0	50	14	0,5	20
616105	4,0-5,0		26	9,5	88	26	3,5	20
616107	6,0-7,0	5,0-7,1	40	15,0	123	32	9	20
616110	8,0-10,0	7,1-8,4	38	19,0	151	41	23	10

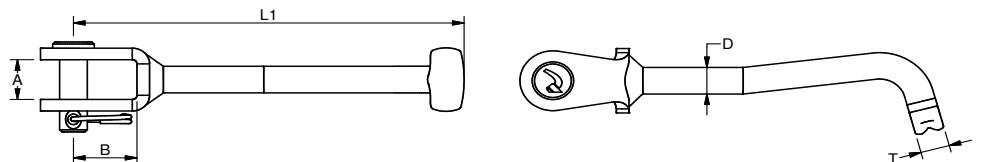


"T" FORK

High Polished Stainless Steel - AISI 316



ART. NO.	PIN	A	B	D	L1	T	KG/100	PACK
613406	6	9,5	13	6,4	83,5	6,35	3,8	BULK
613408	8	11	15	7,5	93	7,50	7,4	BULK
613495	9,5	12	19	9	104	9	11,5	BULK
613412	12	14	25	12,6	130	12,58	22,3	BULK



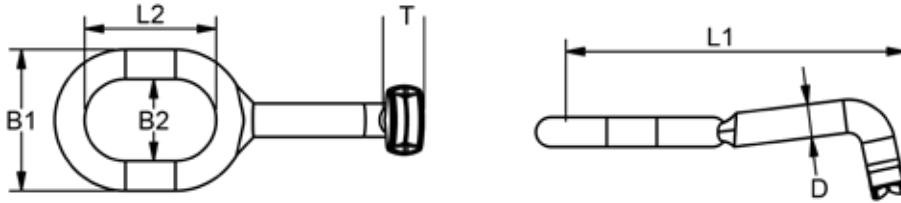
"T" ROPE EYE

High Polished Stainless Steel - AISI 316

The "T" Rope Eye is used for replacing existing wire rig with fiber rope.

ART.NO.	ROPE SIZE	B1	B2	D	L1	L2	T	BL/KG	KG/100	PACK
616506	3	27	15	6,35	81,5	26,0	6,3	800	3,8	BULK
616507	4	27,00	15	7,50	85,0	26,0	7,50	1800	4,1	BULK
616509	5	38,00	22,0	9,00	99,5	34,0	9,00	2800	8,7	BULK
616512	6	38	22,0	12,58	109,0	34,0	12,58	4100	10,2	BULK

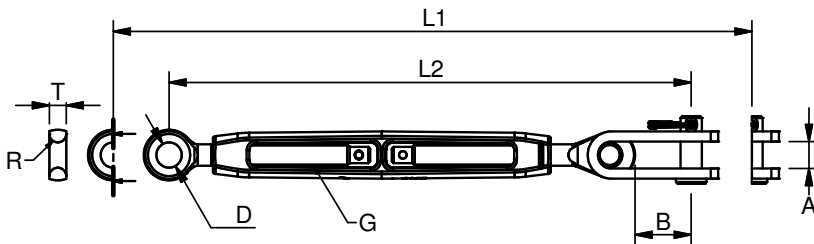
Note: All break loads are determined by ring & terminal



ROPE RIGGING SCREW

High Polished Stainless Steel - AISI 316

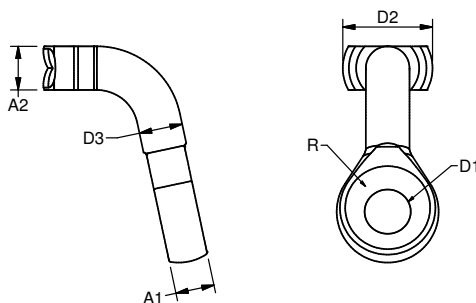
ART. NO.	THREAD G	ROPE	PIN	A	B	D	L1	L2	R	T	B.L. KG.	KG/100	PACK
331906AF	1/4"	3mm	6,35	8	17	7,5	215	155	2,5	5	1300	11,2	10
331908AF	5/16"	4mm	8	10	20	9,5	267	191	4	8	2200	20,2	10
331910AF	3/8"	5mm	9,5	12	26	13,5	307	225	5	12	3400	35,3	10
331911AF	7/16"	6mm	11,1	15	28	13,5	342	254	5	12	4600	53	10
331912AF	1/2"	7mm	12,7	18	35	17,5	380	276	7	16	6100	78,6	BULK
331916AF	5/8"	8mm	16	20	41	17,5	478	342	7	16	9900	133,5	BULK



FORGED ROPE T-EYE

High Polished Stainless Steel - AISI 316

ART. NO.	ROPE	A1	A2	D1	D2	D3	R	FITS IN ART NO.	KG/100	PACK
616506F	Ø3	5	6,35	7,5	15	6,35	2,5	616103	1,4	10
616508F	Ø4	8	9	9,5	18,5	9	4	616105	3,9	10
616512F	Ø5-Ø6	12	14	13,5	29	14	5	616107	12,1	10
616516F	Ø7-Ø8	16	18	17,5	35,5	18	7	616110	27	10



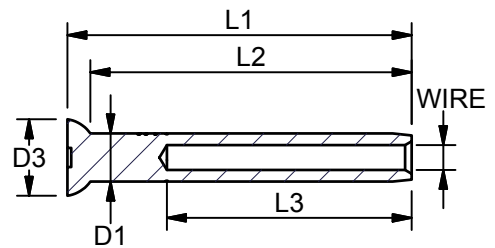
BALL TERMINALS

High Polished Stainless Steel - AISI 316

The Blue Wave Stemball Terminals all features, engraved thread size, Blue Wave logo, and swage depth marking for faster and easier swaging.

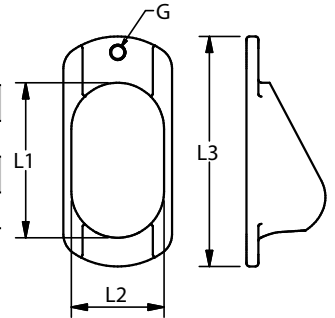
ART. NO	WIRE	D1	D3	L1	L2	L3	KG/100	PACK
620003	3 1/8"	6,35	13	58	54	38	1,1	20
620004	4 5/32"	7,5	16	69	63	45	2,4	20
620005	5 3/16"	9	19	79	72	51	3,8	20
620055	- 7/32"	10,8	20	85	79	58	4	20
620006	6 -	12,58	20	90	84	64	7,9	20
620063	- 1/4"	12,58	20	90	84	64	8,5	20
620007	7 9/32"	14,2	21,3	94	87	70	10	20
620008	8 5/16"	16	26,3	116	108	83	16,9	10
620095	- 3/8"	17,8	27,5	126	119	89	23,5	10
620010	10 -	17,8	27,5	129	119	89	23,5	10
620012	12 -	20	28	145	135	105	26,7	5
* 620012X	12 -	21,4	28	145	135	105	27	5
620010A	10 -	17,8	31,6	128	117	89	23,5	Bulk
620012A	12 -	20	35,6	150	138	105	26,7	Bulk
620014A	14 -	25	40,2	195	183	140	58,5	Bulk
620016A	16 -	28	44,6	210	199	160	71,6	Bulk

Note: "A" marked Stemball terminals are for tip cup use, delivery and price on request!
 * Note: Terminal OD. = 21,4 mm



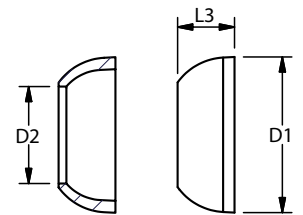
Coquille

ART. NO.	L1	L2	L3	G	KG/100	WIRE	PACK
Q620506	47	29	72	M5	9,7	5+6	10
Q600708	60	36	90	M5	20,9	7+8	10
Q620010	88	50	146	M5	48,2	10	5
Q620012	88	50	146	M8 (2x)	50,0	12	5



BALL CUP

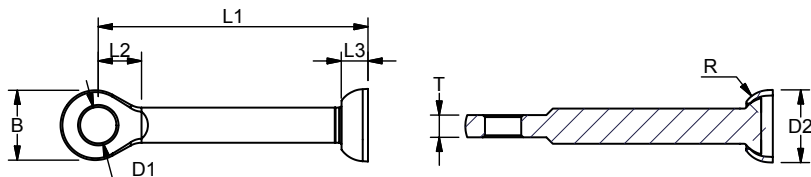
ART. NO.	WIRE	D1	D2	L3	KG/100	PACK PCS.
626204	3-4	26,0	9,0	11,0	1,0	20
626205	5	26,0	11,25	11,0	1,0	20
626207	6-7	26,0	16,0	9,5	1,0	20
626212	8-10	34,0	20,0	12,0	1,5	10
626212X	12	34	21,4	12	1,5	ON REQUEST



BALL - EYE

High Polished Stainless Steel - AISI 316

ART. NO.	WIRE	B	D1	D2	L1	L2	L3	T	R	KG/100	PACK
19620926	5	21,0	10,50	26	83,0	16,0	11,0	6,0	10	6,9	BULK
19621226	6	25,0	13,00	26	98,5	15,5	11,0	8,0	10	12,2	BULK
19621426	7	27,0	13,00	26	106	18,5	10,0	9,0	10	16,6	BULK
19621634	8	30,0	16,50	34	128,0	21,5	12,0	10,0	15	24,9	BULK



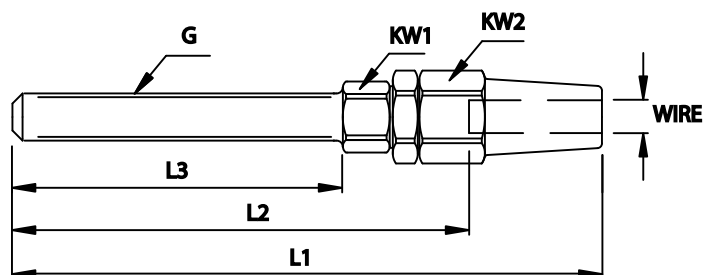
SWAGELESS THREAD TERMINALS METRIC

High Polished Stainless Steel - AISI 316

ART. NO RIGHT	ART. NO. LEFT	WIRE	THREAD G	L1	L2	L3	KW1	KW2	BL/KG	KG/100
800305	810305	3	M5	79	58	42	10	12	750	4,2
800306	810306	3	M6	85	63	47	10	12	750	4,5
800406	810406	4	M6	92	63	47	12	14	1200	5,6
800408	810408	4	M8	102	72	57	12	14	1500	6,6
800508	810508	5	M8	111	78	57	13	16	2180	9,0
800510	810510	5	M10	117	84	63	13	16	2180	10,0
800610	810610	6	M10	128	90	63	16	19	3500	15,0
800612	810612	6	M12	145	107	80	16	19	3700	17,0
800712	810712	7	M12	153	110	80	18	22	4700	22,0
800714	810714	7	M14	162	119	89	18	22	4700	25,0
800812	810812	8	M12	162	113	80	19	24	5100	28,0
800814	810814	8	M14	171	122	89	19	24	5600	31,0
800816	810816	8	M16	182	133	100	19	24	5600	40,0
801016	811016	10	M16	190	139	100	24	27	8300	48,0
801220	811220	12	M20	227	159	120	27	32	12000	79,0
801422	811422	14	M22	264	191	140	30	36	17000	124,0
801624	811624	16	M24	308	227	170	32	41	21000	175,0



Note: All breakloads are determined by wedges (jaws) and thread
The user is responsible for choosing the proper cable diameter and for correct assembly



Assemble instruction look at page 9



SWAGELESS THREAD TERMINALS UNF

High Polished Stainless Steel - AISI 316

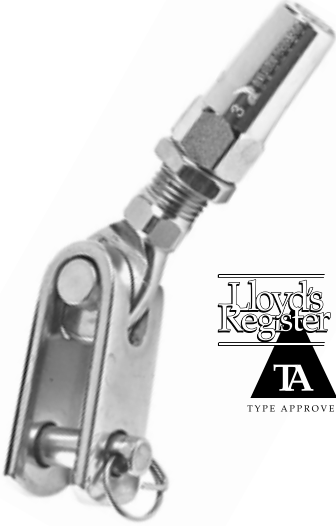
ART. NO. RIGHT	ART. NO. LEFT	WIRE	THREAD G	L1	L2	L3	KW1	KW2	BL/KG	KG/100
800306A	810306A	3	1/4"	85	63	47	10	12	750	4,5
803206A	813206A	1/8"	1/4"	85	63	47	10	12	750	4,5
800406A	810406A	4 5/32"	1/4"	92	63	47	12	14	1300	5,6
800408A	810408A	4 5/32"	5/16"	102	72	57	12	14	1500	6,6
804708A	814708A	3/16"	5/16"	111	78	57	13	16	2150	9,0
800508A	810508A	5	5/16"	111	78	57	13	16	2180	9,0
800510A	810510A	5	3/8"	117	84	63	13	16	2380	10,0
805510A	815510A	7/32"	3/8"	128	90	63	16	19	3000	14,0
805511A	815511A	7/32"	7/16"	133	95	68	16	19	3000	14,3
805512A	815512A	7/32"	1/2"	145	107	80	16	19	3000	17,5
800610A	810610A	6	3/8"	128	90	63	16	19	3400	15,0
800611A	810611A	6	7/16"	133	95	68	16	19	3700	15,0
800612A	810612A	6	1/2"	145	107	80	16	19	3700	17,5
806310A	816310A	1/4"	3/8"	128	90	63	16	19	3400	15,0
806311A	816311A	1/4"	7/16"	133	95	68	16	19	3700	15,0
806312A	816312A	1/4"	1/2"	145	107	80	16	19	3700	17,5
800712A	810712A	7 9/32"	1/2"	162	107	80	18	22	5600	17,5
800812A	810812A	8 5/16"	1/2"	162	107	80	19	24	5600	17,5
800816A	810816A	8 5/16"	5/8"	182	133	100	19	24	5600	40,0
809516A	819516A	3/8"	5/8"	190	133	100	24	27	8000	47,2
801016A	811016A	10	5/8"	190	133	100	24	27	8300	47,2
801220A	811220A	12	3/4"	227	159	120	27	32	12000	79,0
801320A	811320A	1/2"	3/4"	227	159	120	27	32	13600	79,0
801322A	811322A	1/2"	7/8"	227	159	120	27	32	13600	85,0
801422A	811422A	14	7/8"	264	191	140	30	36	17000	124,0
801625A	811625A	16	1"	308	227	170	32	41	21400	175,0

Note: All breakloads are determined by wedges (jaws) and thread.
The user is responsible for choosing the proper cable diameter and for correct assembly.

SWAGELESS TOGGLE TERMINALS

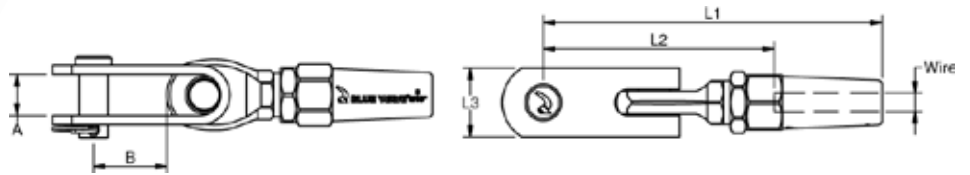
High Polished Stainless Steel - AISI 316

Secure, reliable and tool free swaging of wire, with the fastest swageless system on the market. Ideal for emergency repairs and any other job which normally requires professional swaging.



ART. NO.	WIRE	PIN	A	B	L1	L2	L3	KW1	KW2	BL/KG
830603	3,0	6	8	15	71	50	14	10	12	750
830804	4,0 5/32"	8	10	19	90	61	18	13	14	1500
831005	5,0	9,5	12	25	108	75	23	14	16	2180
831106	6,0	11	15	28	125	88	30	17	19	3700
831207	7,0 9/32"	12,7	18	31	140	100	30	18	21	4700
831208	8,0 5/16"	12,7	18	30	148	102	30	19	24	5600
831610	10,0	16	20	40	176	125	35	24	27	8300
831912	12,0	19	24	45	206	138	40	27	32	12000
832214	14,0	22,2	26	46	230	157	50	30	36	17000
832516	16,0	25,4	29	53	261	180	60	32	41	23000

The user is responsible for choosing the proper cable diameter and for correct assembly
Assemble instruction look at page 9



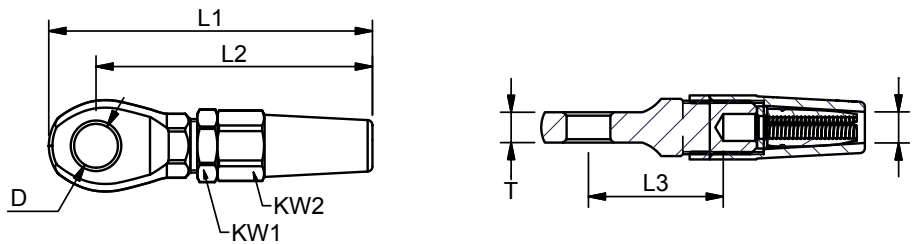
SWAGELESS EYE TERMINALS

High Polished Stainless Steel - AISI 316



ART. NO.	WIRE	D	T	L1	L2	L3	KW1	KW2	BL/KG	KG/100
821903	3 1/18"	6,3	5,5	58	50	26,5	10	12	750	4,0
821904	4 5/32"	8,3	7	68	58	31,0	13	14	1500	7,3
821905	5 -	10,3	8	81	70	37,0	14	16	2180	9,8
821906	6 -	13	9	97	83	45,0	17	19	3700	15,0
821963	1/4"	13	9	97	83	45,0	17	19	3700	15,0
821907	7 9/32"	13	9	105	89	50,5	18	21	4700	21,2
821908	8 5/16"	14,5	10	121	103	52,5	19	24	5600	28,1
821910	10 -	16,2	13	135	116	65,0	24	27	8300	46,0
821912	12 -	19,5	15	160	137	71,5	27	32	12000	72,0
821914	14 -	22	18	185	160	85,0	30	36	14000	110,0
821916	16 -	25	20	197	170	98,0	32	41	23000	160,0

Assemble instruction look at page ?????



SWAGELESS FORK TERMINALS

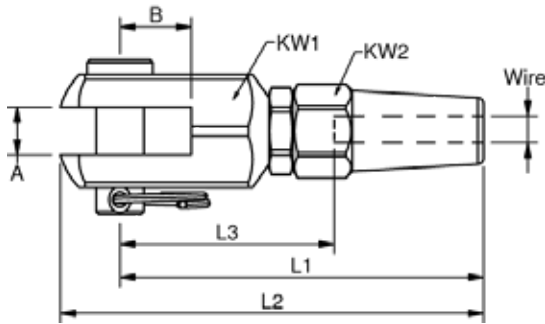
High Polished Stainless Steel - AISI 316

ART. NO.	WIRE	PIN	A	B	L1	L2	L3	KW1	KW2	BL/KG	KG/100
840603	3	6	6	11	55	63	29,0	14	12	750	4,0
840632	1/8"	6	6	11	55	63	29,0	14	12	750	4,0
840804	5/32"	8	8	12	62	73	35,0	19	14	1500	7,3
841047	3/16"	10	10	15	72	83	42,0	22	16	2150	9,8
841005	5	10	10	15	72	83	42,0	22	16	2180	9,8
841255	7/32"	12	12	18	82	95	47,5	27	19	3000	15,0
841206	6	12	12	18	82	95	47,5	27	19	3700	15,0
841263	1/4"	12	12	18	82	95	47,5	27	19	3700	15,0
841207	7 9/32"	12	12	18	102	115	54,5	29	22	4700	21,2
841408	8 5/16"	14	14	21	103	118	58,0	30	24	5600	28,1
841695	3/8"	16	16	24	117	135	70,0	36	27	8000	46,0
841610	10	16	16	24	117	135	70,0	36	27	8300	46,0
841912	12	19	18	26	142	162	75,0	42	32	12000	72,0
841913	1/2"	19	18	26	142	162	75,0	42	32	13600	72,0
842214	14	22	21	30	162	190	88,0	46	36	17000	110,0
842516	16	25	23	35	184	217	102,0	55	41	23000	160,0

Assemble instruction look at page 9

Note: All breakloads are determined by wedges (jaws) and clevis pin

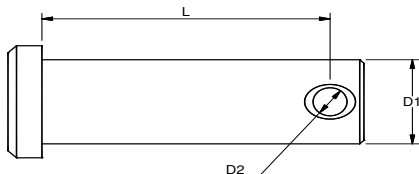
The user is responsible for choosing the proper cable diameter and for correct assembly



CLEVIS PINS

High Polished Stainless Steel - AISI 316

ART. NO.	L	D1	D2	KG/100	PACK
061605	15	5,0	2,5	0,30	BULK
061806	17	6,0	2,5	0,90	BULK
061663	16	6,35	2,5	0,90	BULK
061908	18	8,0	3,0	1,00	BULK
062008	21	8,0	2,5	1,10	BULK
062395	23	9,5	3,0	1,50	BULK
062611	26	11,0	3,5	2,40	BULK
062812	28	12,0	4,0	3,00	BULK
062813	28	12,7	4,0	3,50	BULK
063412	34	12,0	4,0	4,00	BULK
063214	33	14,0	4,0	5,30	BULK
063714	37	14,0	4,0	5,50	BULK
063416	34	16,0	3,5	6,50	BULK
064016	40	16,0	3,5	7,70	BULK
064419	45	19,0	3,5	13,00	BULK
064919	49	19,0	3,5	14,00	BULK
064622	46	22,0	5,5	16,30	BULK
065522	55	22,0	5,5	19,00	BULK
065822	58	22,0	5,5	20,00	BULK
065525	56	25,4	5,5	25,00	BULK
066325	63	25,0	5,5	28,00	BULK
067328	73	28,0	5,5	40,00	BULK
068332	83	32,0	6,5	60,00	BULK
068835	88,5	35,0	6,5	76,00	BULK



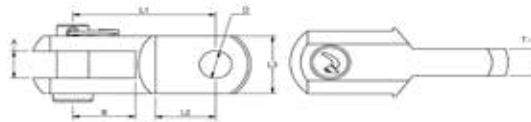
SWAGELESS

TOGGLES MACHINED

High Polished Stainless Steel - AISI 316

ART. NO.	PIN	A	B	D	T	L1	L2	L3	BL/KG	KG/100	PACK
140606M	6,35	6,35	13,0	6,6	5,5	28,0	11,0	12	1300	1,9	BULK
140808M	8,0	7,9	16,0	8,1	7,0	34,5	13,0	16	2600	4,3	BULK
140909M	9,5	9,5	19,0	9,7	9,0	41,5	17,0	19	3500	7,1	BULK
141111M	11,0	11,1	22,0	11,3	9,5	48,5	19,0	23	4100	12,8	BULK
141313M	12,7	12,7	25,0	12,9	12,5	57,0	24,0	27	6200	21,1	BULK
141616M	16,0	15,8	32,0	16,3	13,5	70,0	28,0	33	9800	35,2	BULK
141919M	19,0	19,0	38,0	19,3	18,0	89,0	39,0	42	13000	74,7	BULK
142222M	22,0	22,2	44,0	22,5	21,0	99,0	41,0	48	17000	108,2	BULK
142525M	25,4	25,4	51,0	25,8	24,0	112,0	44,0	53	24000	157,0	BULK

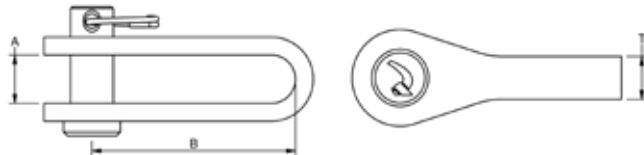
Note: All breakloads are determined by clevis pin.



TOGGLES STANDARD

High Polished Stainless Steel - AISI 316

ART.NO.	A	B	PIN	T	BL/KG	KG/100	PACK
140006	7,5	28	6	7	1800	2,3	10
140008	8,5	34	8	7,7	3600	4	10
140010	10,5	45	9,5	10,2	4000	5,9	10
140011	11,5	50	11	10,5	4800	8,5	10
140012	13,5	56	12	12	5800	12,4	10
140016	17	63	16	15	8000	22,5	10
140019	21	68	19	18	13000	40,7	10
140022	25	111	22	25	17000	80,9	10



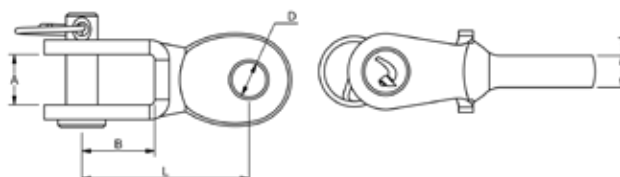
TOGGLES WITH EYE

High Polished Stainless Steel - AISI 316

ART. NO.	PIN	A	B	D	L	T	BL/KG	KG/100
140506	5,0	7,5	12	5,5	26	5	1300	1,8
140608	6,0	9,5	13	6,5	32	6	1800	3,0
140810	8,0	11,0	15	8,5	36	8	3200	5,5
141011	9,5	12,5	19	10,0	45	9	3500	7,2
141111	11,0	12,0	23	11,5	51	9	5200	12,1
141214	12,0	14,0	25	13	59	10	5900	14,5
141616	14,0	22,0	30	14,5	78	14	7500	28,0

Note: All breakloads are determined by clevis pin.

The user is responsible for choosing the proper cable diameter and for correct assembly.



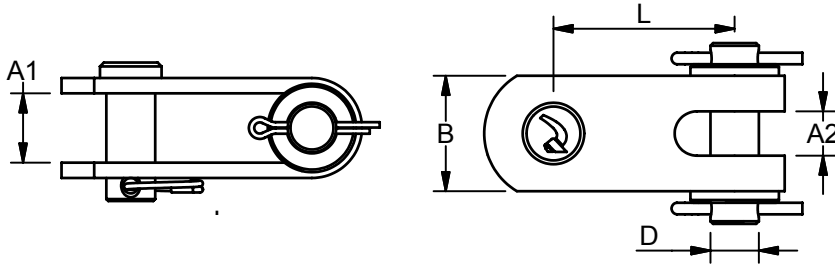
TOGGLES DOUBLE JAW

High Polished Stainless Steel - AISI 316

ART. NO.	PIN	A1	A2	B	D	L	KG/100	BL	PACK
250008	8,0	10,0	5,2	18,0	8,0	30,0	6,0	2350 KG	BULK
250010	9,5	12,0	6,2	22,0	9,5	38,0	11,9	3500 KG	BULK
250011	11,0	15,0	9,2	30,0	11,0	42,0	18,0	4100 KG	BULK
250012	12,7	18,0	11,2	30,0	12,6	47,5	24,0	6200 KG	BULK
250016	16,0	20,0	13,5	35,0	16,0	57,0	41,0	9800 KG	BULK
250019	19,0	24,0	17,5	40,0	19,0	63,0	70,0	13000 KG	BULK
250022	22,0	26,0	19,0	50,0	22,0	72,0	87,0	17000 KG	BULK
220025	25,4	29,0	22,0	60,0	25,0	82,0	107,0	24000 KG	BULK
250028	28,0	34,0	28,0	60,0	28,0	97,0	234,0	25500 KG	BULK
250032	32,0	40,0	34,0	75,0	32,0	105,0	340,0	31000 KG	BULK
250035	35,0	44,0	34,0	75,0	35,0	118,0	470,0	43000 KG	BULK



The user is responsible for choosing the proper cable diameter and for correct assembly.



WIRE CUTTER

Wirecutter up to 9mm

ART. NO.	WIRE SIZE	KG/1
ARCTOOL5	Max Dia 4 / 5/32"	0,7
ARCTOOL6	Max Dia 7 / 9/32"	1,5
ARCTOOL7	Max Dia 12/1/2"	2,8



The Blue Wave Lubricant is used on the threads improving the performance. Whenever stainless steel threaded parts are screwed together it is always strongly recommended to lubricate the threads first, as this prevents the threads from jamming!



ART. NO.	NET. WEIGHT	KG/100
BWLUB1	50g	6,9

Split pin on velcro one-wrap® strap
 The smart pins are a fast and new way of securing open body rigging screws. Simply put the pin attached to the Velcro strap into the split hole and secure the Velcro strap around the rigging screw.



000449723
 Community Design Registration 2006

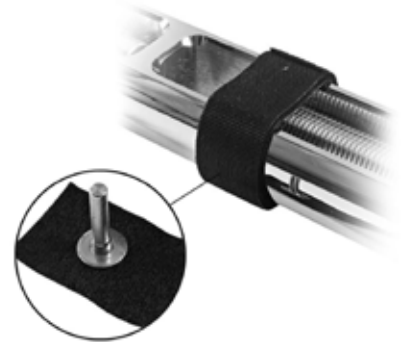
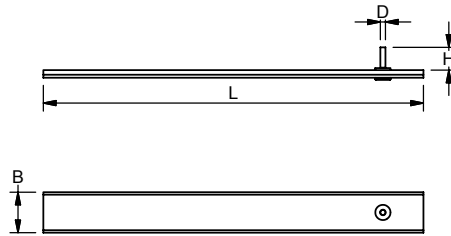


SMART PINS

Stainless Steel - AISI 316

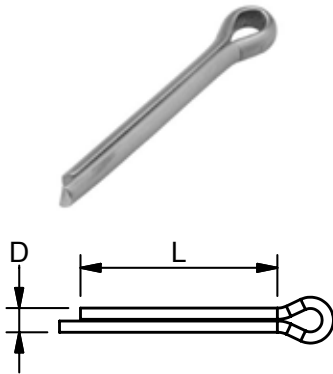
ART. NO. BULK	ART. NO. RETAIL PACK		SIZE	B	D	H	L	KG/100	PACK
VP1020	VP1020P4	M6	1/4"	16	2,0	8	150	0,2	BULK
VP1225	VP1225P4	M8 - M10	5/16" - 3/8"	16	2,5	10	190	0,3	BULK
VP1632	VP1632P4	M12	7/16" - 1/2"	20	3,2	13	260	0,5	BULK
VP2340	VP2340P4	M16 - M20	5/8" - 3/4"	25	4,0	20	370	1,0	BULK

The user is responsible for correct assembly



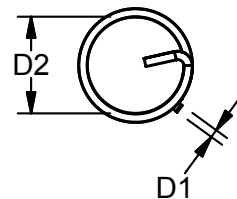
SPLIT PINS

ART. NO.	D MM	L	KG/100	PACK PCS.
070609	1,5	10	0,01	100
0706101	2,0	12	0,03	100
070610	2,0	15	0,03	100
070611	2,0	25	0,05	100
0706121	2,5	16	0,07	100
070612	2,5	25	0,10	100
070613	3,0	25	0,15	50
070614	3,0	32	1,20	50
0706131	3,2	20	0,15	50
0706151	4,0	32	0,36	BULK
070617	5,0	40	0,75	BULK
070618	6,3	50	1,30	BULK



G-RINGS

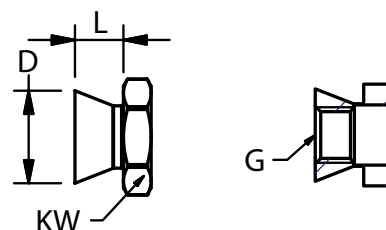
ART. NO.	D1	D2	KG/100	PACK
070601	1,00	11	0,015	100
070602	1,25	15	0,075	100
070603	1,50	19	0,100	100
070604	2,00	23	0,230	100



SAFETY NUTS

High Polished Stainless Steel - AISI 316

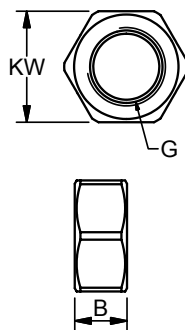
ART. NO.	THREAD G	D	L	KW	KG/100	PACK	BREAK NUT
044310	M10	17,0	9,0	17,0	1,3	BULK	50Nm
044312	M12	20,0	10,5	22,0	2,3	BULK	50Nm



LOCK NUTS METRIC

High Polished Stainless Steel - AISI 316

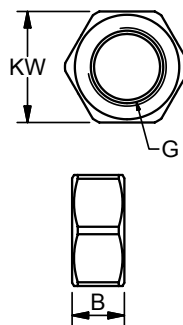
ART. NO. RIGHT	ART. NO. LEFT	THREAD G	KW	B	KG/100	PACK
041205	051205	M5	8	4	0,10	BULK
041206	051206	M6	8	4	0,10	BULK
041208	051208	M8	10	5	0,15	BULK
041210	051210	M10	13	7	0,25	BULK
041212	051212	M12	17	8	0,70	BULK
041214	51214	M14	19	10	1,30	BULK
041216	051216	M16	22	11	2,00	BULK
041220	051220	M20	24	13	2,25	BULK
041222	051222	M22	30	17	3,50	BULK
041224	051224	M24	36	18	8,80	BULK
041227	051227	M27	41	22	16,00	BULK
041230	051230	M30	46	24	17,00	BULK
041230	051230	M30	46	24	17,00	BULK
041236	051236	M36	55	29	39,00	BULK



LOCK NUTS UNF

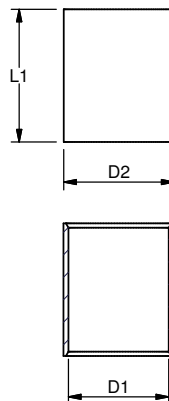
High Polished Stainless Steel - AISI 316

ART. NO. RIGHT	ART. NO. LEFT	THREAD G	KW	B	KG/100	PACK
041206A	051206A	1/4"	8	4,0	0,10	BULK
041208A	051208A	5/16"	10	5,0	0,15	BULK
041210A	051210A	3/8"	13	6,5	0,25	BULK
041211A	051211A	7/16"	14	8,4	0,70	BULK
041212A	051212A	1/2"	17	8,0	1,20	BULK
041216A	051216A	5/8"	22	11,0	2,00	BULK
041220A	051220A	3/4"	24	13,0	2,25	BULK
041222A	051222A	7/8"	30	16,5	3,50	BULK
041225A	051225A	1"	36	17,5	8,80	BULK
041227A	051227A	1-1/8"	41	22,0	16,00	BULK
041230A	051230A	1-1/4"	46	24,0	17,00	BULK
041236A	051236A	1-3/8"	55	29,0	39,00	BULK



SAIL THIMBLE

ART. NO.	D1	D2	L1	PACK	KG/100
111415	14	16	16,0	10	0,5
111419	14	16	19,0	10	0,7
112016	20	22	16,0	10	0,8
112019	20	22	19,0	10	1,0
112022	20	22	22,0	10	1,1
112026	20	22	26,5	10	1,4



RIGTOOL / SAIL THIMBLE

ART. NO.	INNER Ø	KG
RIGTOOL14	14	0,7
RIGTOOL20	20	0,7



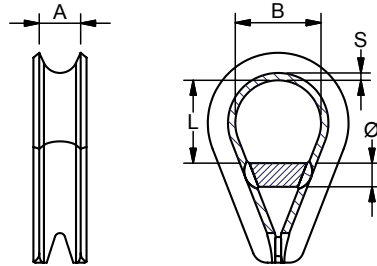


The reinforced thimble is based on the standard thimble but extra force is attained by the addition of a welded bar, as well as the ends of the thimbles being welded together.

THIMBLES WELDED

Polished Stainless Steel - AISI 316

ART. NO.	A	B	L	Ø	S	KG/100	PACK
119909	10	24	24	6	2	3,2	25
119910	11	27	27	8	2,7	5,9	25
119912	14	29	29	8	2,7	6,3	25
119914	16	33	33	10	3	12,3	10
119916	18	40	40	10	3	13,6	10
119918	20	45	45	12	4	24,0	10
119920	22	50	50	12	4	34,8	10
119922	24	56	56	16	5	51,8	BULK
119926	28	65	60	16	6	85,6	BULK

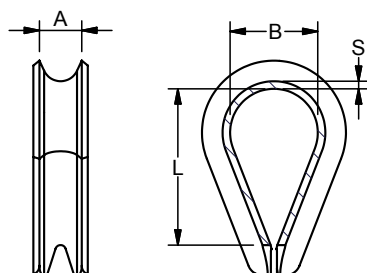


The thimbles from Blue Wave are known worldwide for supreme quality and are often the first choice for the harsh environment of the marine sector.

THIMBLES

Polished Stainless Steel - AISI 316

ART. NO.	A	B	L	S	KG/100	PACK
110002	3	9	16	1,00	0,2	100,0
110003	4	10	17	1,00	0,3	100,0
110004	5	11	19	1,35	0,5	100,0
110005	6	13	21	1,20	0,7	100,0
110006	7	15	27	1,50	1,1	100,0
110007	8	19	33	1,50	1,4	100,0
110008	9	22	38	2,00	2,6	50,0
110009	10	24	43	2,00	3,1	50,0
110010	11	27	46	2,70	4,9	BULK
110012	14	29	52	2,70	6,6	BULK
110014	16	33	57	3,00	9,0	BULK
110016	18	40	67	3,00	11,3	BULK
110018	20	45	75	4,00	19,0	BULK
110020	22	52	84	4,00	31,2	BULK
110022	24	56	93	5,00	45,5	BULK
110026	28	65	112	6,00	67,0	BULK
110028	30	80	135	5,50	82,0	BULK
110032	34	92	160	6,25	110,0	BULK
110034	36	105	160	6,00	117,0	BULK
110036	38	115	176	6,00	142,0	BULK
110038	40	120	180	8,00	206,0	BULK
110040	42	120	192	8,00	220,0	BULK
110042	45	150	240	8,00	304,0	BULK

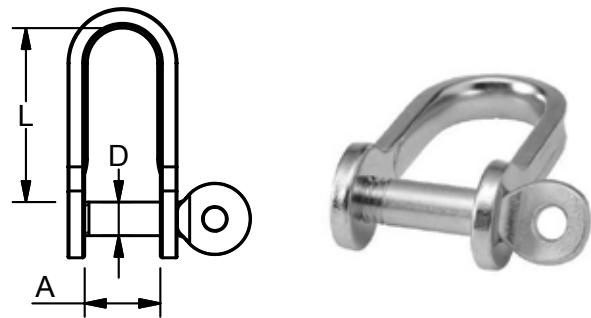


SHACKLES

High Polished Stainless Steel - AISI 304

ART. NO.	A	D	L	BL/KG	KG/100	PACK
150041	10	M4	15	500	0,5	100
150051	12	M5	17	1000	1,6	100
150052	16	M5	24	1000	1,6	100
150053	16	M5	36	1100	1,8	100
155251	13,5	M5	25	1100	1,5	100
155206	16	M6	23	1400	1,6	50
150062	14	M6	40	2000	2,9	50
150082	18	M8	42	3000	5,0	50

Note: All breakloads are determined by pin and thread.

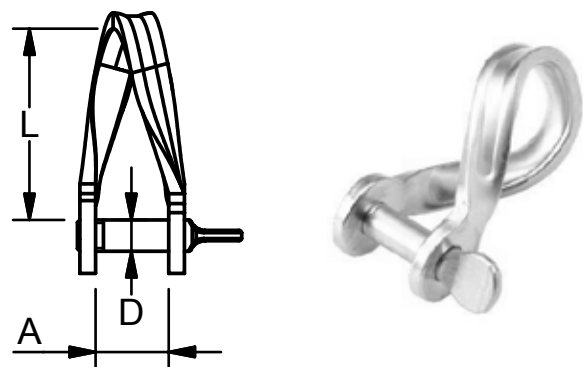


TWISTED SHACKLES

High Polished Stainless Steel - AISI 304

ART. NO	A	D	L	BL/KG	KG/100	PACK
170005	12	M5	22	1200	1,5	100
170053	12	M5	33	1200	1,7	100
170006	14	M6	36	2000	2,9	25
170008	18	M8	36	3000	5,0	25

Note: All breakloads are determined by pin and thread.



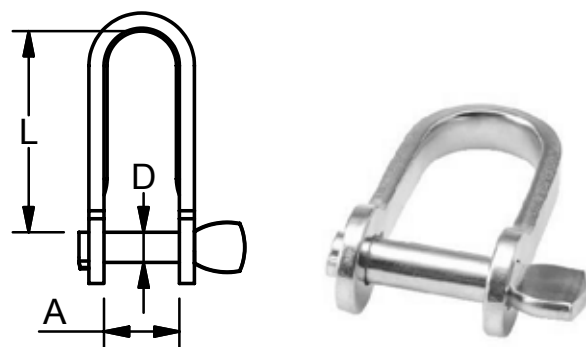
KEYPIN SHACKLES

High Polished Stainless Steel - AISI 304

Twisted and Key Pin

ART. NO.	A	D	L	BL/KG	KG/100	PACK
180005	15	5	36	1000	1,8	100
185205	13	5	26	1000	1,5	100
180006	15	6	40	1650	2,9	25
180008	20	8	41	2750	5,0	25

Note: All breakloads are determined by pin.



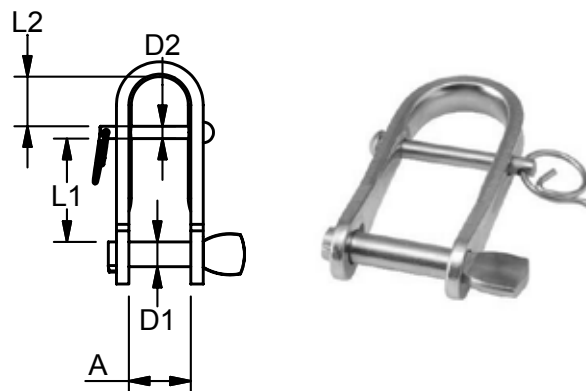
HALYARD SHACKLES

High Polished Stainless Steel - AISI 304

Twisted and Key Pin

ART. NO.	A	D1	D2	L1	L2	BL/KG	KG/100	PACK
180352	12	5	3,0	14	9	700	1,6	25
180305	15	5	3,0	21	12	700	1,9	25
180306	14	6	3,0	25	12	1500	3,0	25
180308	20	8	3,0	26	12	2000	5,1	25

Note: All breakloads are determined by pin.



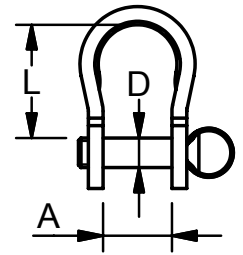
BOW SHACKLES

High Polished Stainless Steel - AISI 304



ART. NO.	A	D	L	BL/KG	KG/100	PACK
150061	14	M6	23	2000	2,5	50
150081	17	M8	31	3000	4,5	50
150010	21	M10	40	4800	8,5	25
150012	25	M12	50	7000	16,0	25

Note: All breakloads are determined by pin and thread.



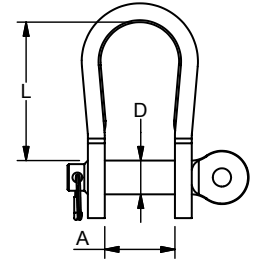
G-RING SHACKLES

High Polished Stainless Steel - AISI 304



ART. NO.	A	D	L	BL/KG	KG/100	PACK
151010	21	M10	40	4800	9,0	25
151212	25	M12	50	7000	16,5	25

Note: All breakloads are determined by pin and thread.



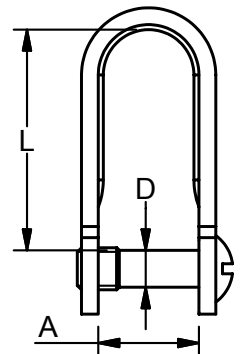
SAILMAKERS D-SHACKLES

High Polished Stainless Steel - AISI 304



ART. NO.	A	D	L	BL/KG	KG/100	PACK
160041	10	M4	15	500	0,5	100
160051	12	M5	17	1000	1,0	100
160052	16	M5	24	1000	1,6	100
160053	16	M5	36	1100	1,8	100
165251	13,5	M5	25	1100	1,5	100
165206	16	M6	23	1400	1,6	50

Note: All breakloads are determined by pin and thread.

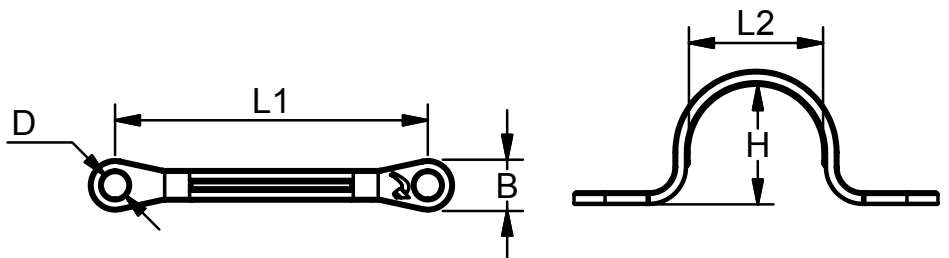


EYE STRAPS

High Polished Stainless Steel - AISI 304

Eye straps are used for various attachments and fixing points. Place it over two pre-drilled holes and if possible use a pop rivet for easy attachment.

ART. NO.	B	D	L1	L2	H	KG/100	PACK
150401	9	4,2	28	11	12,0	0,3	100,00
155102	11	5,0	35,5	15	14,0	0,5	100,00
155203	12	5,3	44	20	19,0	1,0	100,00
155304	10	5,3	63	28	28,0	1,2	50,00
156205	14	6,4	67	32	33,0	2,0	50,00



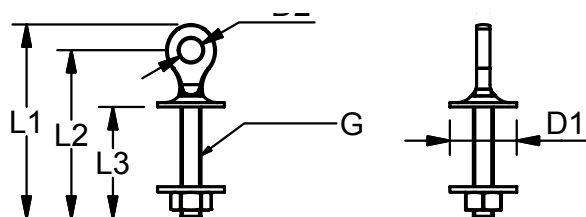


EYE BOLTS FORGED

High Polished Stainless Steel - AISI 316

ART. NO.	THREAD G	D1	D2	L1	L2	L3	T	BL/KG	KG/100	PACK
310630	M6	25,0	6,5	53	46	30	4,0	1200	1,3	10
310660	M6	25,0	6,5	83	76	60	4,0	1200	2,1	10
310835	M8	25,0	8,5	65	58	35	5,0	2200	3,3	10
310880	M8	25,0	8,5	110	104	80	5,0	2200	5,0	10
311050	M10	30,0	10,5	87	75	50	6,0	3500	8,2	10
311000	M10	30,0	10,5	137	125	100	6,0	3500	11,0	10

Note: All breakloads are determined by eye (D) and thread

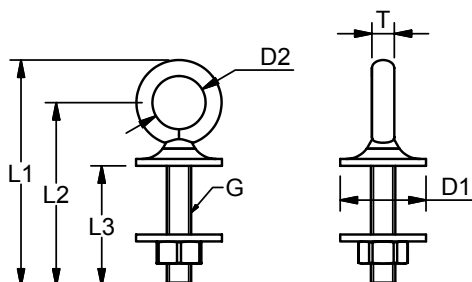


EYE BOLTS WELDED

High Polished Stainless Steel - AISI 316

ART. NO.	THREAD G	D1	D2	L1	L2	L3	T	BL/KG	KG/100	PACK
370630	M6	25	13	57	46	30	5	1200	1,8	10
370640	M6	25	13	66	56	40	5	1200	2,8	10
370650	M6	25	13	76	62	50	5	1200	3,0	10
370660	M6	25	13	87	76	60	5	1200	2,6	10
370600	M6	25	13	126	115	100	5	1200	3,7	10
370835	M8	25	15	66	53	35	6	2200	3,8	10
370850	M8	25	15	80	68	50	6	2200	4,9	10
370880	M8	25	15	110	98	80	6	2200	5,5	10
370800	M8	25	15	130	118	100	6	2200	6,5	10
371050	M10	30	16	85	70	50	7	3500	8,7	10
371000	M10	30	16	135	120	100	7	3500	11,0	10
371250	M12	30	18	90	74	50	9	4500	10,2	10
371210	M12	30	18	140	124	100	9	4500	15,0	10
371216	M12	30	18	200	184	160	9	4500	19,0	10

Note: All breakloads are determined by eye (D) and thread



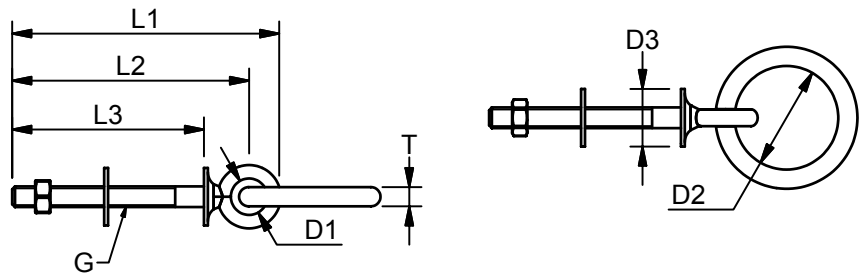
ACCESSORIES

EYE BOLTS WITH RING

High Polished Stainless Steel - AISI 316

ART. NO.	THREAD G	L1	L2	L3	D1	D2	D3	T	BL/KG	KG/100	PACK
380630	M6	57	46	30	13	30	25	5	950	4,4	10
380660	M6	87	76	60	13	30	25	5	950	4,9	10
380835	M8	66	53	35	15	40	25	6	1500	7,3	10
380880	M8	111	98	80	15	40	25	6	1500	8,8	10
381050	M10	85	70	50	16	45	30	7	2200	13,6	10
381000	M10	135	120	100	16	45	30	7	2200	16,3	10
381210	M12	140	124	100	18	50	30	10	3300	28,2	10
381216	M12	200	184	160	18	50	30	10	3300	32,1	10

Note: All breakloads are determined by ring (D2).

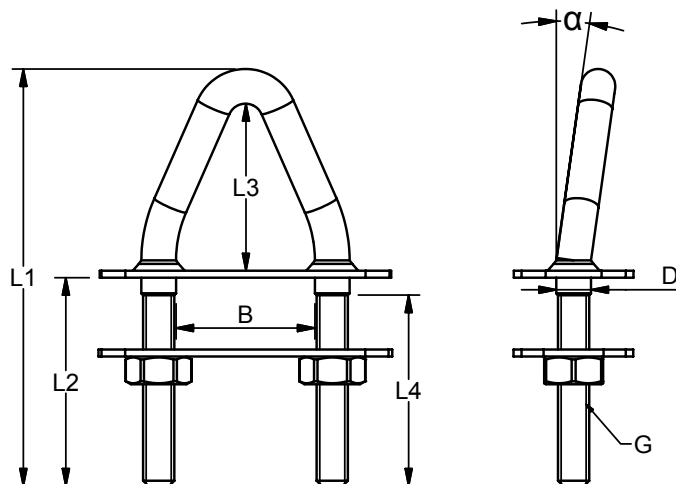


"V" BOLTS

High Polished Stainless Steel - AISI 316

ART. NO.	THREAD G	L1	L2	L3	L4	α	B	D	BL/KG	KG/100	PACK
408500	M8	100	50	40	45	0	33	8	3500	12,5	5
408508	M8	100	50	40	45	8	33	8	3500	12,5	5
408518	M8	100	50	40	45	18	33	8	3500	12,5	5
410600	M10	120	60	48	55	0	40	10	5100	15,0	5
410608	M10	120	60	48	55	8	40	10	5100	15,0	5
410618	M10	120	60	48	55	18	40	10	5100	15,0	5

Note: All breakloads are determined by thread.

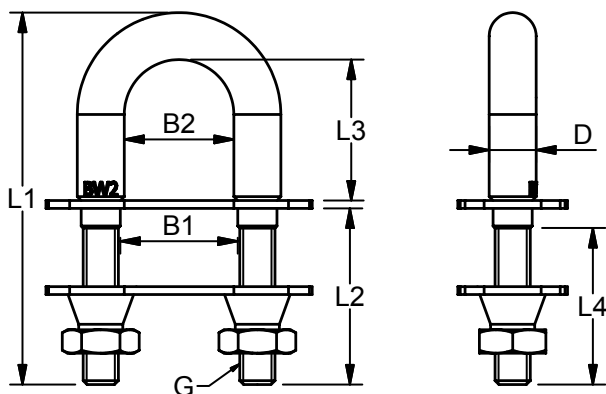


ANTITHEFT "U" BOLTS

High Polished and Hard Chrome Plated Stainless Steel - AISI 316/ 1.4401

ART. NO.	THREAD	G	D	L1	L2	L3	L4	B1	B2	BL/KG	KG/100	PACK	BREAK NUT
Class 3 certified													
431265	M12	14	122	65	41	48	34,5	32,5	5100	31	1	50 Nm	
Class 2 certified													
431045	M10	12	95	45	38	40	30,0	28,0	3500	22	1	50 Nm	

Note: All breakloads are determined by thread.



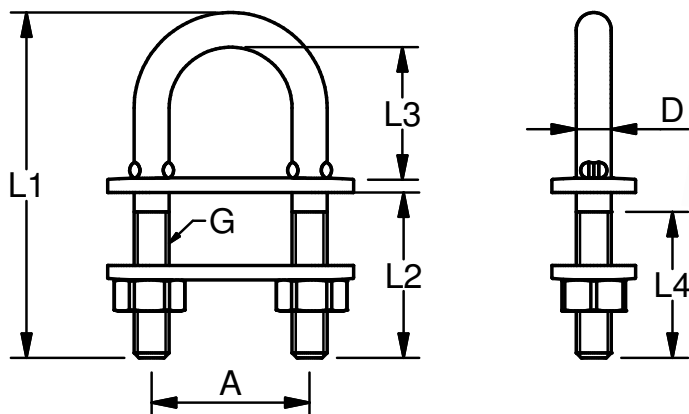
CLASS 3 CERTIFIED
SECURITY U-BOLT

"U" BOLTS

High Polished Stainless Steel - AISI 316

ART. NO.	G	A	D	L1	L2	L3	L4	BL/KG	KG/100	PACK	PCS
340435	M4	30	4,0	66	35	25	30	750	2,1	25	
340535	M5	30	4,4	67	35	25	30	900	2,6	25	
340635	M6	33	5,3	67	35	26	30	1250	4,5	5	
340650	M6	33	5,3	84	50	26	30	1250	5,7	5	
340835	M8	33	7,1	71	35	26	30	1750	7,2	5	
340850	M8	33	7,1	86	50	26	30	1750	9,7	5	
340880	M8	33	7,1	116	80	26	45	1750	11,8	5	
348840	M8	50	8,0	80	40	30	32	1750	12,4	5	
348850	M8	50	8,0	90	50	30	32	1750	13,2	5	
341045	M10	40	10,0	95	45	40	40	3500	18,4	5	
341060	M10	40	10,0	110	60	40	35	3500	20,4	5	
341010	M10	40	10,0	150	100	40	85	3500	25,0	5	
341280	M12	47	10,8	122	80	30	85	5100	29,0	5	

Note: All breakloads are determined by thread.



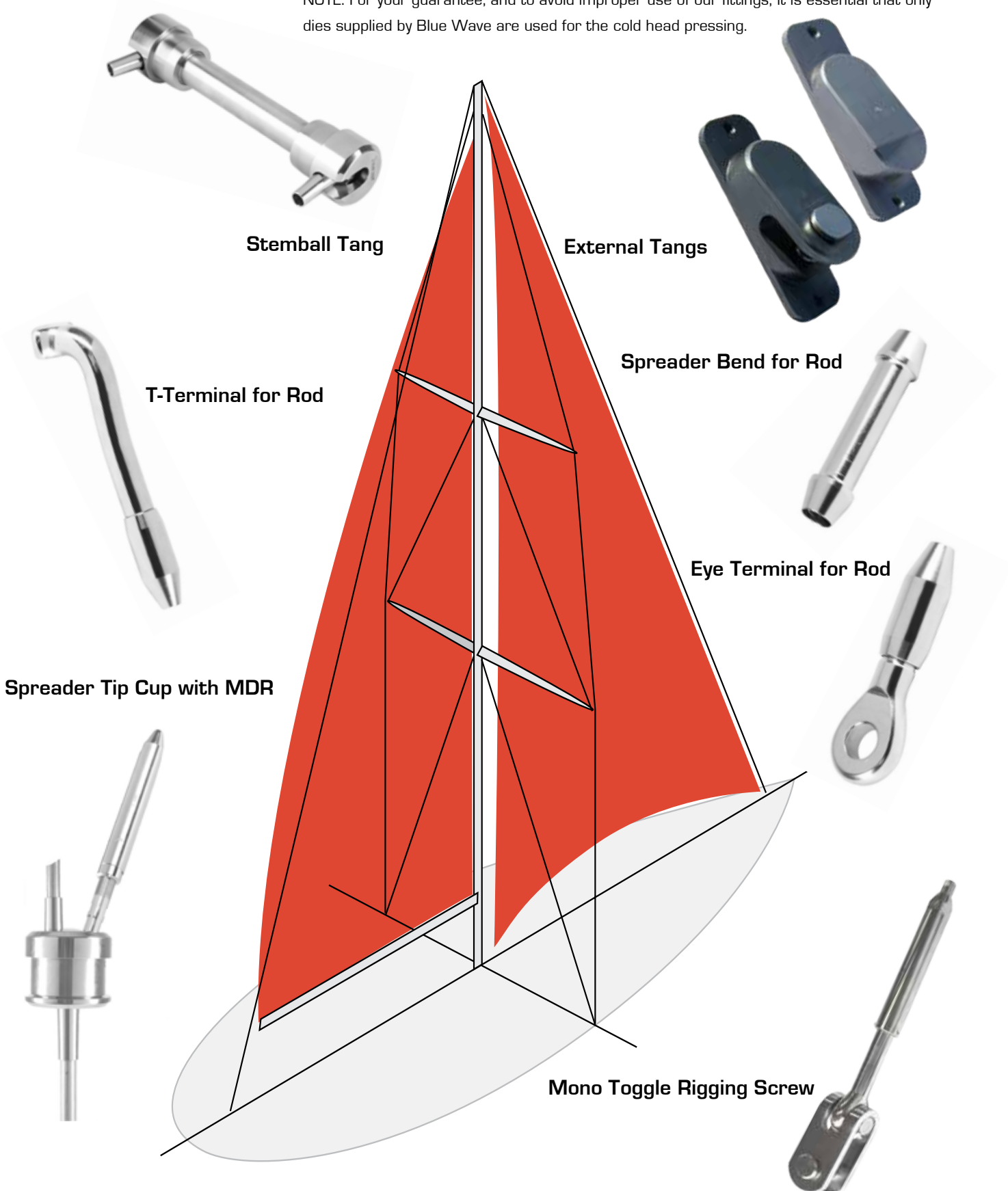
ACCESSORIES

Rod and Rod Rigging Systems

Below is a summary of our rod range and some of its common rig combinations. Ranging from DASH 1 to DASH 60 with treads, from 1/4" to 1 3/8".

All parts are made of stainless acid proof steel and are tested to the recommended break loads. We recommend a calculated working load of no more than 20% of the break load.

NOTE: For your guarantee, and to avoid improper use of our fittings, it is essential that only dies supplied by Blue Wave are used for the cold head pressing.



Rod Pressing Machine

The Principals.

The double acting cylinder applies pressure to two tapered dies through a regulated pressure pipe. The outer piston applies pressure to the tapered dies and locks the rod.

Through the centre piston, pressure up till 260T, is applied to the end of the rod and forms the "head".

The press can be delivered with 3 different hydraulic units.

Option 1. The HAGG PA 9 is an air hydraulic pump powered by an air compressor. Time for a press cycle is approximately 30 to 50 seconds, depending on rod size.

Option 2. The HAGG PHS 36 is a two stage hand operated pump, one stage for low pressure and one for high pressure. It takes approximately 5 strokes in low pressure mode, and 50 strokes in high pressure mode to achieve a press cycle.

Option 3. The HAGG HC44/1,5 is a compact hydraulic pump that runs on high voltage electricity, 400V, 50 Hz.
The compact hydraulic pumps is fitted with a manometer which automatically switches of the the pump when the desired hydraulic pressure level is reached.
Time for a press cycle is approximately 15 seconds.



For further information on the Blue Wave Rod Press and dies, please contact Blue Wave A/S

ROD Press Machines

ROD Press Machines range

MACHINES	RPT60	RPT260
Max Press capacity (tons) / Rod size (mm) / Dash	60 / 12,7 / - 40 200x395x170	260 / 1" / - 150 660x360x360
Dimensions LxWxH (mm)	100	700
Weight approx. Depending on pump		Inclusive Hydraulic pump
PUMPS		
All pumps are delivered with a quick connector , so it can power other hydraulic operated equipment as Talurit press, Wire Teknik rollerpress, ect.		
RPLFPA9 Air hydraulic pump Needs compressed air	✓	N.A.
RPHC2215 Compact hydraulic pump single phase, 230V, 50Hz	✓	✓
RPCH4815 Hydraulic pump 3 phase, 400V, 50Hz, 3Kw	✓	✓
RPV500 Work & transport car	On Request	On Request
DIES Ranging from 3,0 mm up to 1" rod	min. 5 sets	min. 5 sets
CONDITIONS		
Downpayment 30%		
Delivery: 3 to 4 months depending on the choice of Rod Machine		

Sandvik SanRig 80

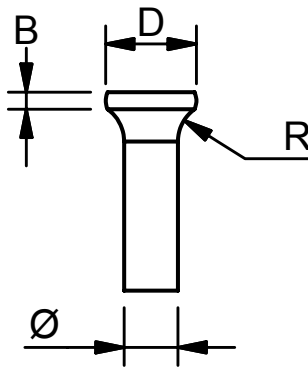
Sandvik SanRig 80 is an austenitic stainless steel characterized by very high fatigue and tensile strength, combined with good corrosion resistance in seawater containing media. Sandvik SanRig 80 rig rod is developed specially for marine applications.

Corrosion resistance

in seawater and other high chloride containing media, Sandvik SanRig 80 rig rod has very good corrosion resistance. Tests have been carried out in 3% NaCl solution using an electrochemical cell with an applied potential of 300mV VS. SCE. The determined critical pitting temperature (CPT) of Sandvik SanRig 80 was approximately 50 C (122 F). Based on the results it can be concluded that the pitting corrosion resistance of Sandvik SanRig 80 rig rod is sufficient for the application and comparable to grade Nitronic* 50.

Proof strength

Proof strength Rpo.2 for Sandvik SanRig 80 rig rod is in the range of 80 - 85 % of the tensile strength. Sandvik SanRig 80 can resist high loads without permanent set of the rig.



ROD Ø	DASH	R	D	B
3,0	1,0	3,0	5,6	1,0
4,0	3,0	3,0	6,2	1,0
4,4	4,0	3,0	7,0	2,0
5,0	6,0	3,0	8,0	2,0
5,7	8,0	3,5	9,0	2,0
6,0	9,0	4,0	9,5	2,0
6,4	10,0	5,0	10,0	2,0
7,1	12,0	5,5	11,0	2,0
7,5	15,0	5,5	12,0	3,0
8,0	16,0	6,0	13,0	3,0
8,4	17,0	6,0	13,5	3,0
9,5	22,0	7,0	16,0	3,0
11,1	30,0	9,0	18,0	4,0
12,7	40,0	10,0	21,0	4,0
14,3	48,0	12,0	23,0	5,0
16,8	60,0	15,0	26,0	5,0

Mechanical properties for SANRIG 80 are shown in the following table.

Diameter mm	Dash	Tolerance (+/- mm)	Breaking load KG	Weight kg/m	* Stretch mm/10m
3	1	0,022	1030	0,056	18
4	3	0,022	1840	0,099	18
4,4	4	0,022	2240	0,120	18
5	6	0,022	2900	0,154	18
5,7	8	0,022	3770	0,200	18
6	9	0,022	4150	0,222	18
6,4	10	0,028	4750	0,025	18
7,0/7,1	12	0,028	5850	0,308	18
7,5	15	0,028	6530	0,347	17
8	16	0,028	7380	0,395	17
8,4/8,5	17	0,028	8190	0,440	17
9,5	22	0,028	10.470	0,557	17
11,1	30	0,036	13.810	0,760	17
12,7	40	0,036	18.080	0,995	16
14,3	48	0,036	22.920	1,250	16
16,8	60	0,036	31.630	1,740	16

* Stretch in mm per 10m with load of 25% of min. Breaking strength

SPREADER TIPCUP

High Polished acid proof Stainless Steel

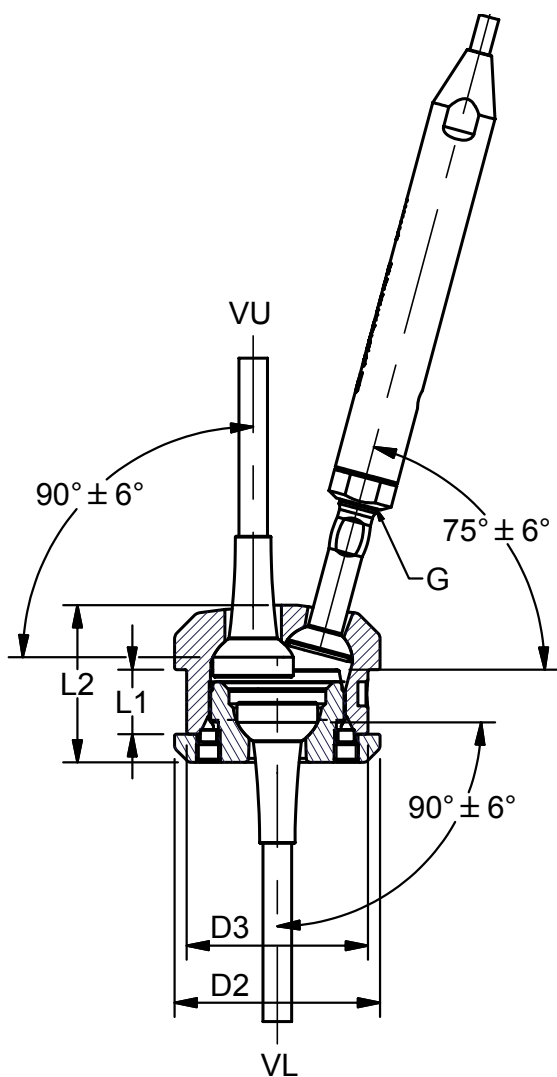
ART. NO. COMPLETE	ART. NO. ONLY TIPCUP	VL	VU	D1	THREAD	G	D2	D3	L1	L2	ANGLE	KG/100 PACK	PACK
ST716405	SC6438071	7,1	6,4	5,0	3/8"		48	42	23	42	$\pm 6^\circ$		BULK
ST7171105	SC7138071	7,1	7,1	5,0	3/8"		48	42	23	42	$\pm 6^\circ$		BULK
ST757164	SC7112075	7,5	7,1	6,4	1/2"		64	56	28	54	$\pm 6^\circ$		BULK
ST757571	SC7512075	7,5	7,5	7,1	1/2"		64	56	28	54	$\pm 6^\circ$		BULK
ST847564	SC7512084	8,4	7,5	6,4	1/2"		64	56	28	54	$\pm 6^\circ$		BULK
ST848471	SC8412084	8,4	8,4	7,1	1/2"		64	56	28	54	$\pm 6^\circ$		BULK
ST958464	SC8412095	9,5	8,4	6,4	1/2"		64	56	28	54	$\pm 6^\circ$		BULK
ST959571	SC9512095	9,5	9,5	7,1	1/2"		64	56	28	54	$\pm 6^\circ$		BULK
ST119571	SC9512111	11,1	9,5	7,1	1/2"		70	60	30	58	$\pm 6^\circ$		BULK
ST119584	SC9558111	11,1	9,5	8,4	5/8"		70	60	30	58	$\pm 6^\circ$		BULK
ST121171	SC1112127	12,7	11,1	7,1	1/2"		75	65	35	66	$\pm 6^\circ$		BULK
ST121184	SC1158127	12,7	11,1	8,4	5/8"		75	65	35	66	$\pm 6^\circ$		BULK
ST141184	SC1158143	14,3	11,1	8,4	5/8"		80	74	35	68	$\pm 6^\circ$	253,8	BULK
ST141295	SC1234143	14,3	12,7	9,5	3/4"		80	74	35	68	$\pm 6^\circ$		BULK
ST161495	SC1434168	16,8	14,3	9,5	3/4"		90	78	40	83	$\pm 6^\circ$	388,2	BULK
ST161411	SC1478168	16,8	14,3	11,1	7/8"		90	78	40	83	$\pm 6^\circ$		BULK

The stemball spreader tipcup is the ideal solution for the demanding boat owner with its exclusive looks and design.

Note: Rod various length are available on request.

The user is responsible for choosing the proper rod diameter, and for correct assembly.

D3: Tolerance +0/-0,2



STEMBALL TANG

High Polished acid proof Stainless Steel

The stemball tang is delivered complete with two tangs, connector rod and two stemballs.

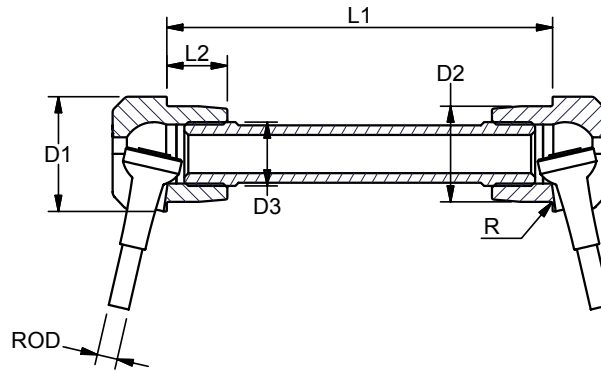
ART. NO.	ROD MM	DASH	D1	D2	D3	L1	L2	R1	BL/KG	PACK
ST000004	4,0	3	33	*27	16	**	21,5	0,3	1700	BULK
ST000044	4,4	4	33	*27	16	**	21,5	0,3	2000	BULK
ST000005	5,0	6	33	*27	16	**	21,5	0,3	2800	BULK
ST000057	5,7	8	36	*30	20	**	23,0	0,3	3700	BULK
ST000006	6,0	9	36	*30	20	**	23,0	0,3	4000	BULK
ST000064	6,4	10	36	*30	20	**	23,0	0,3	4600	BULK
ST000071	7,1	12	38	*32	22	**	26,5	0,3	5600	BULK
ST000075	7,5	15	38	*32	22	**	26,5	0,3	6200	BULK
ST000008	8,0	16	45	*36	26	**	30,0	0,3	7000	BULK
ST000084	8,4	17	45	*36	26	**	30,0	0,3	7600	BULK
ST000095	9,5	22	48	*38	30	**	32,5	0,3	10000	BULK
ST000111	11,1	30	58	*48	33	**	34,0	0,3	13500	BULK
ST000127	12,7	40	62	*50	38	**	35,0	0,6	16500	BULK
ST000143	14,3	48	70	*55	40	**	36,5	0,6	20500	BULK
ST000168	16,8	60	80	*65	46	**	41,0	0,6	28500	BULK

The user is responsible for choosing the proper rod diameter and for correct assembly

Note: Breakloads are according to rod size (SAF 2205). D2: Tolerance +0/-0,1.

(D2) * Without sleeve for carbon masts.

** Mast size



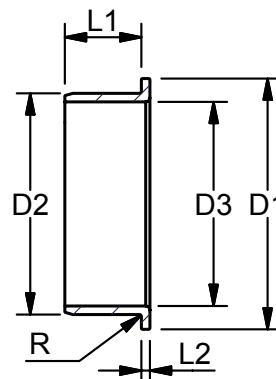
SLEEVE FOR CARBON MASTS

High Polished Stainless Steel - AISI 316



ART. NO.	D1	D2	D3	L1	L2	R	KG/100	PACK PCS
BC000005	34	30	27	8,5	1,5	0,3	1,3	BULK
BC000064	37	33	30	8,5	1,5	0,3	1,4	BULK
BC000075	39	35	32	10,5	1,5	0,3	1,7	BULK
BC000084	46	40	36	15,0	2,0	0,5	3,8	BULK
BC000095	49	43	38	15,0	2,0	0,5	4,1	BULK
BC000111	59	52	48	18,0	2,0	0,5	5,9	BULK
BC000127	63	54	50	23,0	2,0	0,5	7,7	BULK
BC000143	71	59	55	23,0	2,0	0,5	9,0	BULK
BC000168	81	69	65	23,0	2,0	0,5	10,5	BULK

D2: Tolerance +0/-0,1



EXTERNAL STEMBALL TANG

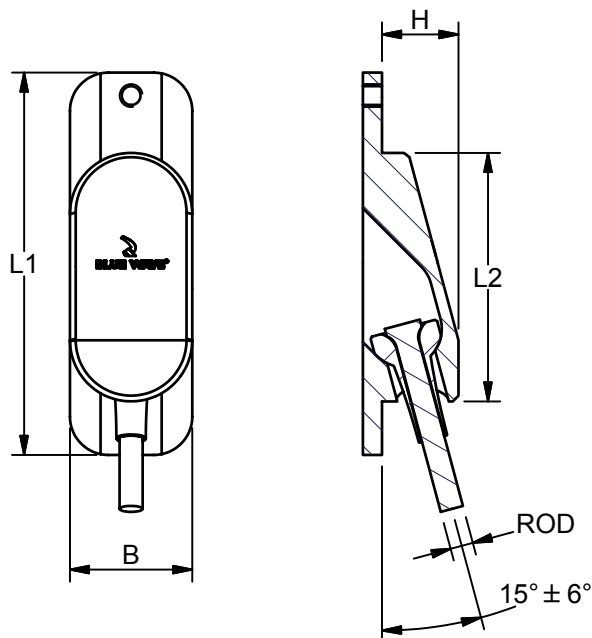
Anodized aluminium

ART. NO.	ROD	B	H	L1	L2	BL/KG	KG/100
BS0405	4,0-5,0	32	17	90	58	2850	6,6
BS5764	5,7-6,4	36	20	100	65	4600	9,2
BS7175	7,1-7,5	42	22	115	76	6300	13,2
BS8084	8,0-8,4	50	24	140	90	7700	21,1
BS0095	9,5	54	30	150	98	10000	31,5
BS0111	11,1	58	35	160	104	13500	41,3

Note: Break loads are determined by rod (SAF 2205)

The user is responsible for choosing the proper rod diameter and for correct assembly.

ON REQUEST ONLY!



External stemball tang made of anodized aluminum to achieve best performance in saline and stressful environments.



EXTERNAL EYE TANG

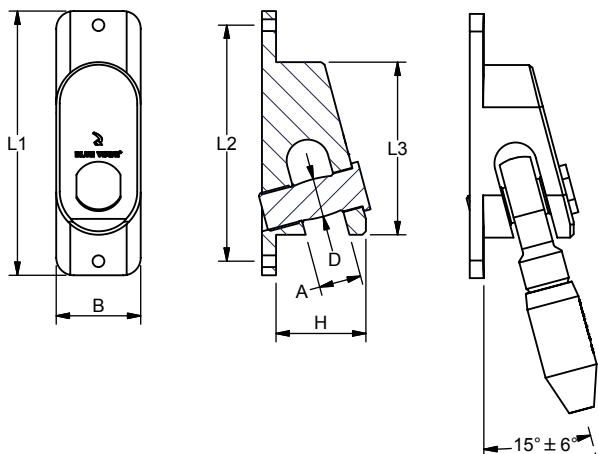
Anodized aluminium

ART.NO.	ROD	A	B	D	H	L1	L2	L3	BL/KG	KG/100
BE1111KB	5,0-5,7	11	32	11,1	23	90	78	58	4700	10,7
BE1313KB	5,7-7,1	13,5	36	12,7	27	100	88	65	5400	13,4
BE1616KB	7,1-8,4	16	42	16	32	115	103	76	8000	21,8
BE1921KB	8,4-9,5	21	50	18,8	41	140	124	90	13000	39,9
BE2324KB	11,1	24	54	22	47	150	134	98	17000	57,8

Note: Break loads are determined by rod (SAF 2205)

The user is responsible for choosing the proper rod diameter and for correct assembly.

ON REQUEST ONLY!



External eye tang made of anodized aluminum to achieve best performance in saline and stressful environments. Can be used with rod and wire eye terminals.



CT TOGGLE RIGGING SCREW

High Polished AISI 316 Stainless Steel & Chrome Bronze

Toggle/Rod

A highly sophisticated rigging screw, from the Blue Wave racing line.

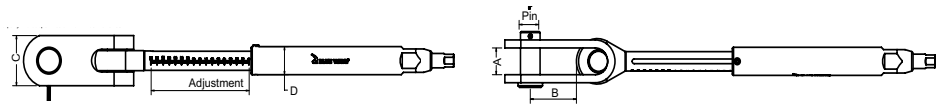


ART. NO.	ROD	PIN	DASH	ADJUSTMENT	A	B	C	D
CT058084	8,4	15,9	17	80	20	40	35	22
CT034095	9,5	19,1	22	100	24	42	40	26
CT078111	11,1	22,2	30	110	26	46	50	30
CT001127	12,7	25,4	40	130	29	62	60	34
CT118143	14,3	28,6	48	140	34	66	60	38
CT114168	16,8	31,8	60	160	40	75	75	42
!CTM38179	17,9	31,8	76	170	40	75	75	50
!CTM42195	19,5	34,9	91	180	42	90	85	55
!CTM46222	22,2	39,7	115	190	46	105	95	60
!CTM52254	25,4	44,5	150	200	54	120	110	68

! Without Nose

The user is responsible for choosing the proper rod diameter and for correct assembly.

Note: Break loads are determined by rod (SanRig 80)



CT EYE RIGGING SCREW

High Polished AISI 316 Stainless Steel & Chrome Bronze

Eye/Rod

A highly sophisticated rigging screw, from the Blue Wave racing line.

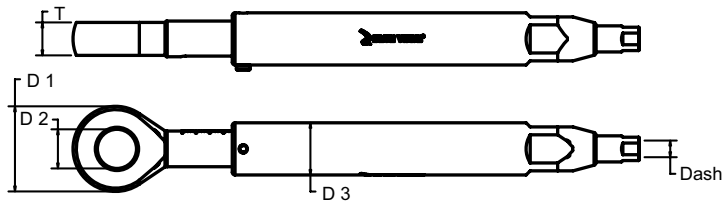


ART. NO.	ROD	DASH	ADJUSTMENT	T	D1	D2	D3
CE058084	8,4	17	80	12	32	16,5	22
CE034095	9,5	22	100	16	41	19,5	26
CE078111	11	30	110	18	47	23	30
CE010127	12,7	40	130	20	51	26,5	34
CE118143	14,3	48	140	24	62	29,5	38
CE114168	16,8	60	160	30	68	33	42
!CEM38179	17,9	76	170	30	68	33	50
!CEM42195	19,5	91	180	34	72	36	55
!CEM46222	22,2	115	190	38	80	41	60
!CEM52254	25,4	150	200	44	88	46	68

! Without Nose

The user is responsible for choosing the proper rod diameter and for correct assembly.

Note: Break loads are determined by rod (SanRig 80)



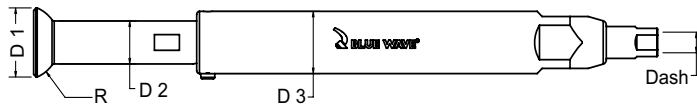
CT BALL RIGGING SCREW

High Polished AISI 316 Stainless Steel & Chrome Bronze

ART. NO.	ROD	DASH	ADJUSTMENT	R	D1	D2	D3
CBO58084	8,4	17	80	15	28	13,5	22
CBO34095	9,5	22	100	17,5	31,5	16,5	26
CBO78111	11,1	30	110	20	35,5	20	30
CBO10127	12,7	40	130	22	38,5	23	34
CB118143	14,3	78	140	23	41,5	26	38
CB114168	16,8	60	160	25	46,5	29	42

The user is responsible for choosing the proper rod diameter and for correct assembly.

Note: Break loads are determined by rod (SanRig 80)



Ball/Rod

A highly sophisticated rigging screw, from the Blue Wave racing line.



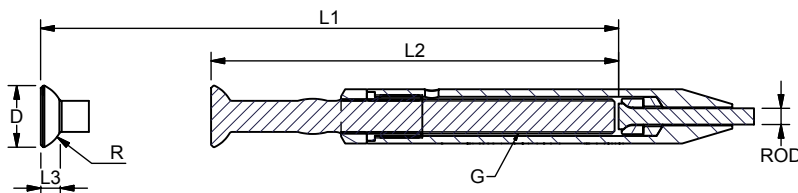
MDR - MONO DIAGONAL RIGGING SCREW

High Polished AISI 316 Stainless Steel

ART. NO.	ROD	DASH	THREAD G	D	R	L1	L2	L3	BL/KG	PACK
MDO38050	5,0	6	3/8"	16,8	9,0	190,0	130,0	5,9	2850	BULK
MD716057	5,7	8	7/16"	19,8	11,0	205,0	140,0	7,2	3750	BULK
MDO12060	6,0	9	1/2"	23,5	13,0	227,0	152,0	8,0	4000	BULK
MDO12064	6,4	10	1/2"	23,5	13,0	227,0	152,0	8,0	4600	BULK
MDO12071	7,1	12	1/2"	23,5	13,0	227,0	152,0	8,0	5700	BULK
MDO58075	7,5	15	5/8"	27,8	15,0	277,0	187,0	9,5	6300	BULK
MDO58080	8,0	16	5/8"	27,8	15,0	277,0	187,0	9,5	7100	BULK
MDO58084	8,4	17	5/8"	27,8	15,0	277,0	187,0	9,5	7700	BULK
MDO34095	9,5	22	3/4"	31,8	17,5	323,0	215,0	10,5	10000	BULK
MDO78111	11,1	30	7/8"	35,9	20,0	379,0	249,0	11,0	13500	BULK
MD100127	12,7	40	1"	38,5	22,0	486,0	316,0	11,0	16500	BULK

The user is responsible for choosing the proper rod diameter and for correct assembly.

Note: Break loads are determined by rod (SanRig 80).



A sleek and elegant Diagonal Rigging Screw and a price favourable alternative to the Blue Wave racing line. It features a thread alu bronze insert, and an alu bronze cup, to prevent the threaded stemball and the rod end from seizing up.



BALL/SOCKET UNF

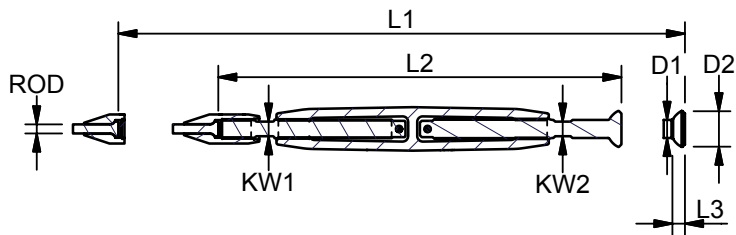
High Polished Stainless Steel - AISI 316

The Blue Wave Chromed Bronze Body Rigging screw line features a number of details that makes it the best choice for exclusive and durable rigging.



ART. NO.	THREAD G	ROD	DASH	D1	D2	L1	L2	L3	KW1	KW2	BL/KG	PACK
RB 516003	5/16"	3,0	1	7,9	16,8	271	181	5,9	6	6	1000	BULK
RB516004	5/16"	4,0	3	7,9	16,8	271	181	5,9	6	6	1700	BULK
RBO38005	3/8"	5,0	6	9,5	16,8	307	223	5,9	7	7	2850	BULK
RB716005	7/16"	5,0	6	11	19,7	357	267	6,4	8	9	2850	BULK
RB716057	7/16"	5,7	8	11	19,7	357	267	6,4	8	9	3750	BULK
RBO12057	1/2"	5,7	8	12,7	23,2	396	290	7,2	10	11	3750	BULK
RB716006	7/16"	6,0	9	11	19,7	357	267	6,4	8	9	4000	BULK
RBO12006	1/2"	6,0	9	12,7	23,2	396	290	7,2	10	11	4000	BULK
RBO12064	1/2"	6,4	10	12,7	23,2	396	290	7,2	10	11	4600	BULK
RBO12071	1/2"	7,1	12	12,7	23,2	396	290	7,2	10	11	5700	BULK
RBO58071	5/8"	7,1	12	16	27,8	509	377	9,0	13	14	5700	BULK
RBO58075	5/8"	7,5	15	16	27,8	509	377	9,0	13	14	6300	BULK
RBO58008	5/8"	8,0	16	16	27,8	509	377	9,0	13	14	7100	BULK
RBO58084	5/8"	8,4	17	16	27,8	509	377	9,0	13	14	7700	BULK
RBO34084	3/4"	8,4	17	19	31,7	589	429	10,0	17	17	7700	BULK
RB343484	3/4"	8,4	17	19	31,7	546	377	10,0	17	17	7700	BULK
RBO34095	3/4"	9,5	22	19	31,7	589	429	10,0	17	17	10000	BULK

Note: All breakloads are determined by Rod (SanRig 80)



TOGGLE/SOCKET UNF

High Polished Stainless Steel - AISI 316

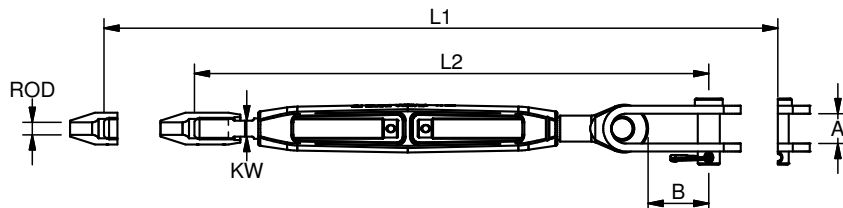
The Blue Wave Chromed Bronze Body Rigging screw line features a number of details that makes it the best choice for exclusive and durable rigging.



ART. NO.	THREAD G	ROD	DASH	A	B	L1	L2	PIN	KW	BL/KG	PACK
RT516003	5/16"	3,0	1	10	20	285	195	8	6	1000	BULK
RT516004	5/16"	4,0	3	10	20	285	195	8	6	1700	BULK
RT038005	3/8"	5,0	6	12	26	313	230	9,5	7	3500	BULK
RT716005	7/16"	5,0	6	15	28	349	259	11	8	5850	BULK
RT716057	7/16"	5,7	8	15	28	349	259	11	8	3750	BULK
RT012057	1/2"	5,7	8	18	35	386	280	12,7	10	3750	BULK
RT716006	7/16"	6,0	9	15	28	349	259	11	8	4000	BULK
RT012006	1/2"	6,0	9	18	35	386	280	12,7	10	4000	BULK
RT012064	1/2"	6,4	10	18	35	386	280	12,7	10	4600	BULK
RT012071	1/2"	7,1	12	18	35	386	280	12,7	10	5700	BULK
RT058071	5/8"	7,1	12	20	41	511	379	16	13	5700	BULK
RT058075	5/8"	7,5	15	20	41	511	379	16	13	6300	BULK
RT058008	5/8"	8,0	16	20	41	511	379	16	13	7100	BULK
RT058084	5/8"	8,4	17	20	41	511	379	16	13	7700	BULK
RT034084	3/4"	8,4	17	24	45	577	417	19	17	7700	BULK
RT034095	3/4"	9,5	22	24	45	577	417	19	17	10000	BULK
RT078111	7/8"	11,1	30	26	49	683	469	22	19	13500	BULK
RT078127	7/8"	12,7	40	26	49	678	484	22	22	16500	BULK
RT001127	1"	12,7	40	29	59	824	562	25,4	22	16500	BULK

Note: All breakloads are determined by Rod (SanRig 80)

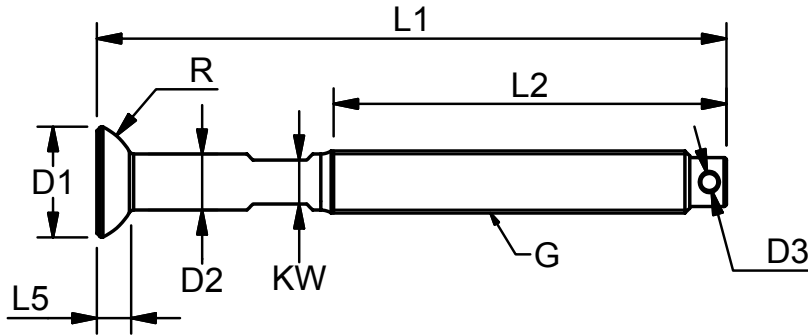
The user is responsible for choosing the proper rod diameter and for correct assembly.



THREADED BALL FOR TIPCUP

High Polished Stainless Steel - AISI 316

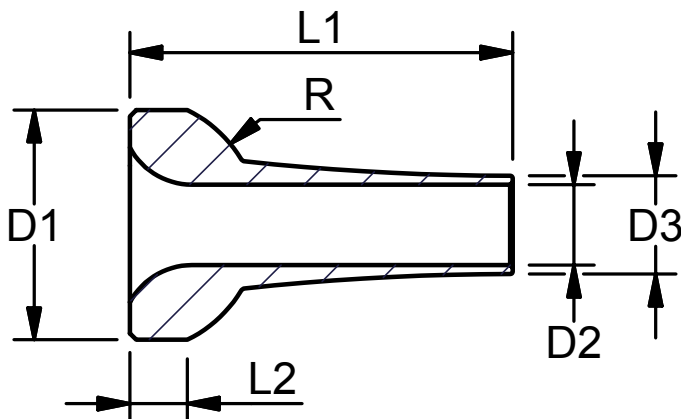
ART. NO.	THREAD G	D1	D2	D3	L1	L2	L5	KW	R	BL/KG	KG/100	PACK
BT014000	1/4"	13	6,35	2,2	80	47	4,5	5	5	1300	3,9	BULK
BT516000	5/16"	16,8	8,5	2,8	92	57	6	7	9	2200	4,2	BULK
BT038000	3/8"	16,8	8,5	2,8	101	63	5,7	7	9	3400	5,6	BULK
BT716000	7/16"	19,8	10	3,5	111	70	7,5	9	11	4600	8	BULK
BT012000	1/2"	23,2	11,5	3,5	129	80	7,5	11	12,5	6100	12,2	BULK
BT058000	5/8"	27,8	14	4,3	154	100	9	14	15	9900	23,4	BULK
BT034000	3/4"	31,8	17	4,5	178	120	10	17	17,5	14400	38,4	BULK



STEMBALL FOR ROD

High Polished Stainless Steel - AISI 316

ART. NO.	ROD Ø MM	DASH	D1	D2	D3	L1	L2	R	KG/100	PACK
SB000004	4,0	3	14,0	4,2	5,7	25,4	3,9	8,0	0,7	BULK
SB000044	4,4	4	14,0	4,6	6,1	25,4	3,9	8,0	0,7	BULK
SB000005	5,0	6	14,0	5,2	6,7	25,4	3,9	8,0	0,8	BULK
SB000057	5,7	8	18,0	5,9	7,4	30,0	4,5	10,0	1,0	BULK
SB000006	6,0	9	18,0	6,2	7,7	30,0	4,5	10,0	1,2	BULK
SB000064	6,4	10	18,0	6,6	8,1	30,0	4,5	10,0	1,6	BULK
SB000071	7,1	12	20,0	7,3	8,8	35,0	5,0	11,0	2,4	BULK
SB000075	7,5	15	20,0	7,8	9,3	35,0	5,0	11,0	2,3	BULK
SB000008	8,0	16	23,0	8,3	10,3	40,0	5,5	12,5	3,2	BULK
SB000084	8,4	17	23,0	8,7	10,7	40,0	5,5	12,5	3,5	BULK
SB000095	9,5	22	26,0	9,8	11,8	50,0	6,5	15,0	5,0	BULK
SB000111	11,1	30	30,0	11,4	14,4	55,0	8,1	17,5	8,2	BULK
SB000127	12,7	40	35,0	13,0	16,0	60,0	9,0	20,0	12,2	BULK
SB000143	14,3	48	38,0	14,6	18,6	70,0	10,0	22,0	16,5	BULK
SB000168	16,8	60	42,0	17,2	21,2	85,0	11,0	26,0	21,3	BULK

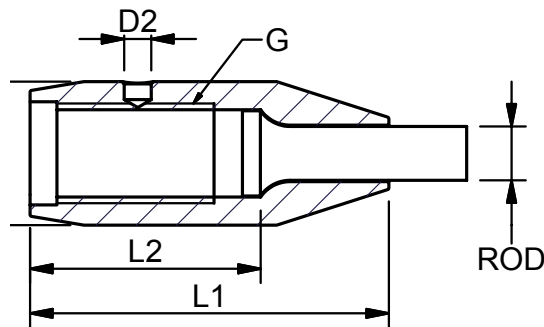


SOCKET FOR ROD

High Polished Stainless Steel - AISI 316



ART. NO.	ROD Ø	DASH	THREAD G	D1	D2	L1	L2	KG/100	PACK
S0516003	3,0	1	5/16"	13	3	35,0	19,70	2,0	BULK
S0516004	4,0	3	5/16"	13	3	35,0	19,70	2,0	BULK
S0038004	4,0	3	3/8"	13	3	40,0	19,70	2,0	BULK
S0038005	5,0	6	3/8"	14	3	40,0	22,80	2,5	BULK
S0716005	5,0	6	7/16"	16	3	41,5	24,00	3,1	BULK
S0716057	5,7	8	7/16"	16	3	41,5	25,10	3,1	BULK
S0012057	5,7	8	1/2"	18	3	45,0	27,59	4,6	BULK
S0716006	6,0	9	7/16"	16	3	40,0	27,70	3,1	BULK
S0012006	6,0	9	1/2"	18	3	45,0	27,59	4,3	BULK
S0012064	6,4	10	1/2"	18	3	45,0	28,24	4,3	BULK
S0012071	7,1	12	1/2"	18	3	45,0	28,80	4,2	BULK
S0058071	7,1	12	5/8"	22	4	55,0	34,00	7,8	BULK
S0058075	7,5	15	5/8"	22	4	56,0	33,62	8,3	BULK
S0058005	8,0	16	5/8"	22	4	55,0	34,22	8,0	BULK
S0058084	8,4	17	5/8"	22	4	55,0	34,86	7,7	BULK
S0034084	8,4	17	3/4"	26	4	64,0	40,52	11,1	BULK
S0034095	9,5	22	3/4"	26	4	62,0	41,30	10,9	BULK
S0078111	11,1	30	7/8"	30	4	72,0	45,13	16,4	BULK
S0100127	12,7	40	1"	35	4	86,0	52,69	27,5	BULK
S0118143	14,3	48	1 1/8"	40	5	97,0	61,00	41,0	BULK
S0138168	16,8	60	1 3/8"	48	5	114,0	68,00	77,9	BULK

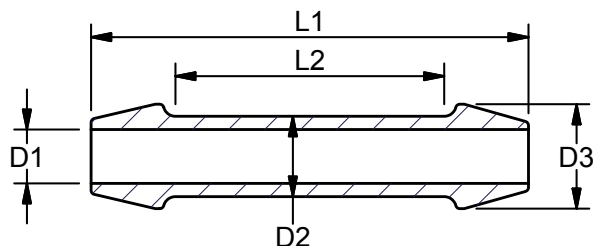


SPREADER BEND FOR ROD

High Polished Stainless Steel - AISI 316



ART. NO.	ROD Ø	DASH	D1	D2	D3	L1	L2	KG/100	PACK
SPO00004	4,0	3	4,4	7	10	31,0	14,0	1,0	BULK
SPO00005	5,0	6	5,3	8	11	35,5	18,5	1,0	BULK
SPO00057	5,7	8	6,0	9	12	42,5	23,5	1,4	BULK
SPO00006	6,0	9	6,3	9	12	42,5	23,5	1,4	BULK
SPO00064	6,4	10	6,7	10	13	54,5	33,5	2,2	BULK
SPO00071	7,1	12	7,4	10	13	54,5	33,5	1,9	BULK
SPO00075	7,5	15	7,8	11	14	63,5	38,5	2,8	BULK
SPO00008	8,0	16	8,4	11	14	63,5	38,5	2,4	BULK
SPO00084	8,4	17	8,8	11	14	63,5	38,5	2,2	BULK
SPO00095	9,5	22	9,9	13	16	70,5	43,5	3,7	BULK
SPO00111	11,1	30	11,5	15	18	84,5	53,5	5,6	BULK
SPO00127	12,7	40	13,1	19	22	96,5	61,5	12,1	BULK
SPO00143	14,3	48	15,0	19	22	98,5	61,5	9,4	BULK
SPO00168	16,8	60	17,5	21	25	110,5	66,5	11,5	BULK



"T" TERMINAL FOR ROD

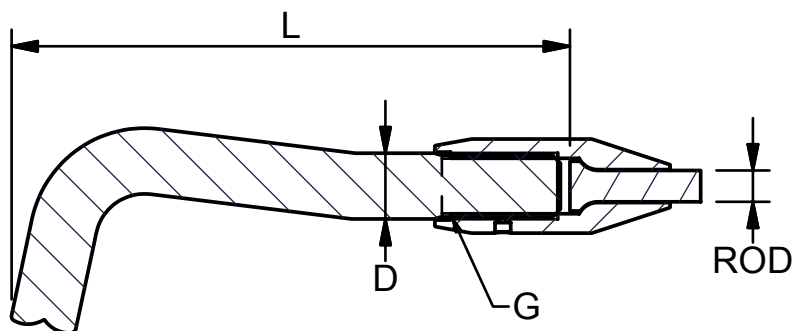
High Polished Stainless Steel - AISI 316

ART. NO.	ROD Ø	DASH	THREAD G	D	L	KG/100	PACK
TT716005M*	5,0	6	7/16"	12,58	106,5	15,1	BULK
TT716057M*	5,7	8	7/16"	12,58	106,5	15,1	BULK
TT012057M*	5,7	8	1/2"	12,58	106,5	17,3	BULK
TT716006M*	6,0	9	7/16"	12,58	106,5	15,1	BULK
TT012006M*	6,0	9	1/2"	12,58	106,5	17,3	BULK
TT012064M*	6,4	10	1/2"	12,58	106,5	17,3	BULK
TT012071M*	7,1	12	1/2"	14,2	116,5	20,7	BULK
TT058071M**	7,1	12	5/8"	16,0	141,5	34,0	BULK
TT058075M**	7,5	15	5/8"	16,0	141,5	34,0	BULK
TT058008M**	8,0	16	5/8"	17,8	156,5	41,7	BULK
TT058084M**	8,4	17	5/8"	17,8	156,5	41,7	BULK

Note: Rod in various lengths are available on request.

The user is responsible for choosing the proper rod diameter, and for correct assembly.

Use back plates 616107 for *, and 616110 for **, or refer to page 34



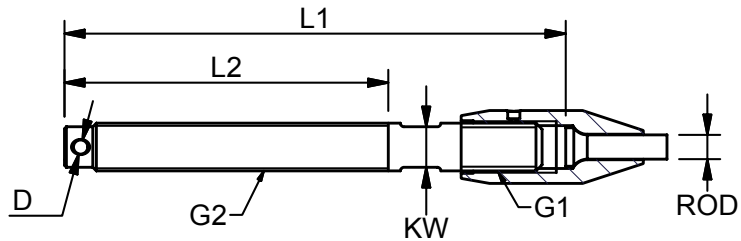
STUD TERMINAL FOR ROD

High Polished Stainless Steel - AISI 316



ART. NO. RIGHT	ART. NO. LEFT	ROD MM	DASH	THREAD G1	THREAD G2	D	KW	L1	L2	KG/100	PACK
SR516003M	SL516003M	3,0	1	5/16"	5/16"	2,2	6	84	57	4,5	BULK
SR516004M	SL516004M	4,0	3	5/16"	5/16"	2,2	6	84	57	4,5	BULK
SR038004M	SL038004M	4,0	3	3/8"	3/8"	2,2	7	93	63	8,6	BULK
SRO38005M	SLO38005M	5,0	6	3/8"	3/8"	2,2	7	93	63	8,6	BULK
SR716005M	SL716005M	5,0	6	7/16"	7/16"	2,2	8	103	70	9,6	BULK
SR716057M	SL716057M	5,7	8	7/16"	7/16"	2,2	8	103	70	9,6	BULK
SRO12057M	SLO12057M	5,7	8	1/2"	1/2"	2,8	10	119	80	14,3	BULK
SR716006M	SL716006M	6,0	9	7/16"	7/16"	2,2	8	103	70	9,6	BULK
SRO12006M	SLO12006M	6,0	9	1/2"	1/2"	2,8	10	119	80	14,3	BULK
SRO12064M	SLO12064M	6,4	10	1/2"	1/2"	2,8	10	119	80	14,3	BULK
SRO12071M	SLO12071M	7,1	12	1/2"	1/2"	2,8	10	119	80	14,2	BULK
SRO58071M	SLO58071M	7,1	12	5/8"	5/8"	3,5	13	146	100	27,8	BULK
SRO58075M	SLO58075M	7,5	15	5/8"	5/8"	3,5	13	146	100	27,8	BULK
SRO58008M	SLO58008M	8,0	16	5/8"	5/8"	3,5	13	146	100	28,0	BULK
SRO58084M	SLO58084M	8,4	17	5/8"	5/8"	3,5	13	146	100	27,7	BULK
SRO34084M	SLO34084M	8,4	17	3/4"	5/8"	3,5	17	171	120	43,1	BULK
SR343484M	SL343484M	8,4	17	3/4"	3/4"	3,5	17	176	120	46,3	BULK
SRO34095M	SLO34095M	9,5	22	3/4"	3/4"	3,5	17	176	120	46,1	BULK
SRO781111M	SLO781111M	11,1	30	7/8"	7/8"	3,5	19	191	140	69,0	BULK
SR100127M	SL100127M	12,7	40	1"	1"	3,5	22	241	170	114,3	BULK

The user is responsible for choosing the proper rod diameter and for correct assembly.



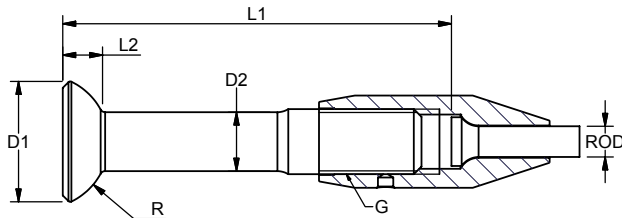
BALL TERMINAL FOR ROD

High Polished Stainless Steel - AISI 316

ART. NO.	ROD Ø MM	DASH	THREAD G	D1	D2	R	L1	L2	KG/100	PACK
BA516003M	3,0	1	5/16"	16,8	10,0	9,0	53	5,9	5,9	BULK
BA038004M	4,0	3	3/8"	16,8	8,5	9,0	59	5,9	6,5	BULK
BA516004M	4,0	3	5/16"	16,8	10,0	9,0	53	5,9	6,5	BULK
BA038005M	5,0	6	3/8"	16,8	8,5	9,0	59	5,9	8,1	BULK
BA716005M	5,0	6	7/16"	19,7	10,0	11,0	61	6,4	8,1	BULK
BA716057M	5,7	8	7/16"	19,7	10,0	11,0	61	6,4	8,1	BULK
BA012057M	5,7	8	1/2"	23,2	11,5	12,0	71	7,2	11,6	BULK
BA716006M	6,0	9	7/16"	19,7	10,0	11,0	61	6,4	8,1	BULK
BA012006M	6,0	9	1/2"	23,2	11,5	12,0	71	7,2	11,6	BULK
BA012064M	6,4	10	1/2"	23,2	11,5	12,0	71	7,2	11,6	BULK
BA012071M	7,1	12	1/2"	23,2	11,5	12,0	71	7,2	11,5	BULK
BA058071M	7,1	12	5/8"	27,8	14,0	15,0	81	9,0	21,3	BULK
BA058075M	7,5	15	5/8"	27,8	14,0	15,0	81	9,0	21,3	BULK
BA058008M	8,0	16	5/8"	27,8	14,0	15,0	81	9,0	21,5	BULK
BA058084M	8,4	17	5/8"	27,8	14,0	15,0	81	9,0	21,2	BULK
BA034084M	8,4	17	3/4"	31,7	17,0	17,5	92	10,0	33,7	BULK
BA034095M	9,5	22	3/4"	31,7	17,0	17,5	91	10,0	33,5	BULK
BA078111M	11,1	30	7/8"	35,7	20,0	20,0	101	10,5	48,3	BULK
BA100127M	12,7	40	1"	38,7	23,0	22,0	111	10,5	73,1	BULK
BA118143M	14,3	48	1 1/8"	41,7	26,0	23,0	126	11,5	112,3	BULK
BA138168M	16,8	60	1 3/8"	46,8	32,0	25,0	136	12,5	192,9	BULK



The user is responsible for choosing the proper rod diameter and for correct assembly

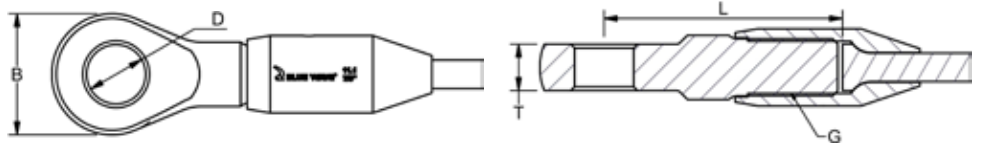


EYE TERMINAL FOR ROD

High Polished Stainless Steel - AISI 316



ART. NO.	ROD Ø MM	DASH	THREAD G	B	D1	T	L	KG/100	PACK
EY516004M	4,0	3	5/16"	17	8,5	5	34	3,6	BULK
EY716005M	5,0	6	7/16"	24	11,5	8	46	8,3	BULK
EY716057M	5,7	8	7/16"	24	11,5	8	46	8,3	BULK
EY012057M	5,7	8	1/2"	28	13,2	10	56	12,5	BULK
EY716006M	6,0	9	7/16"	24	11,5	8	46	8,3	BULK
EY012006M	6,0	9	1/2"	28	13,2	10	56	12,5	BULK
EY012064M	6,4	10	1/2"	28	13,2	10	56	12,5	BULK
EY012071M	7,1	12	1/2"	28	13,2	10	56	12,4	BULK
EY058071M	7,1	12	5/8"	36	16,5	12	70	24,4	BULK
EY058075M	7,5	15	5/8"	36	16,5	12	70	24,4	BULK
EY058008M	8,0	16	5/8"	36	16,5	12	70	24,6	BULK
EY058084M	8,4	17	5/8"	36	16,5	12	70	24,3	BULK
EY034084M	8,4	17	3/4"	41	19,5	16	79	38,1	BULK
EY034095M	9,5	22	3/4"	41	19,5	16	79	37,9	BULK
EY078111M	11,1	30	7/8"	47	23,0	18	92	57,1	BULK
EY100127M	12,7	40	1"	52	26,0	20	101	83,1	BULK
EY118143M	14,3	48	1 1/8"	62	28,5	24	112	127,8	BULK
EY138168M	16,8	60	1 3/8"	68	32,5	30	125	212,7	BULK



TOGGLE TERMINAL FOR ROD

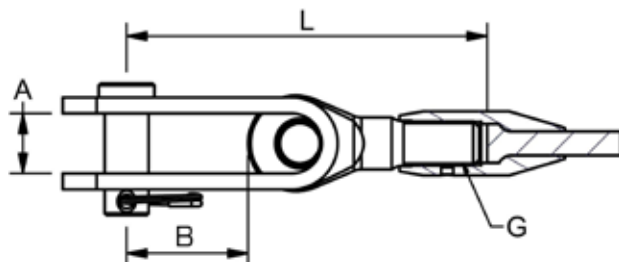
High Polished Stainless Steel - AISI 316



ART. NO.	ROD Ø MM.	DASH	THREAD G	PIN SIZE	A	B	L	KG/100	PACK
T0516004M	4,0	3	5/16"	11,0	10	18	53	21,2	BULK
T0716005M	5,0	6	7/16"	11,0	15	30	88	24,4	BULK
T0716057M	5,7	8	7/16"	11,0	15	30	88	24,4	BULK
T0012057M	5,7	8	1/2"	12,7	18	30	102	34,8	BULK
T0716006M	6,0	9	7/16"	11,0	15	30	88	24,4	BULK
T0012006M	6,0	9	1/2"	12,7	18	30	102	34,5	BULK
T0012064M	6,4	10	1/2"	12,7	18	30	102	34,5	BULK
T0012071M	7,1	12	1/2"	12,7	18	30	102	34,4	BULK
T0058071M	7,1	12	5/8"	16,0	20	35	126	61,3	BULK
T0058075M	7,5	15	5/8"	16,0	20	35	126	61,8	BULK
T0058008M	8,0	16	5/8"	16,0	20	35	126	61,5	BULK
T0058084M	8,4	17	5/8"	16,0	20	35	126	61,2	BULK
T0034095M	9,5	22	3/4"	19,0	24	40	141	99,9	BULK
T0078111M	11,1	30	7/8"	22,0	26	50	163	151,4	BULK
T0100127M	12,7	40	1"	25,4	29	60	182	246,5	BULK
T0118143M	14,3	48	1 1/8"	28,0	34	65	206	319,6	BULK
T0138168M	16,8	60	1 3/8"	32,0	40	75	233	371,9	BULK

Note: Rod in various lengths are available on request.

The user is responsible for choosing the proper rod diameter, and for correct assembly.



FURLER EYE TERMINAL FOR ROD

High Polished acid proof Stainless Steel

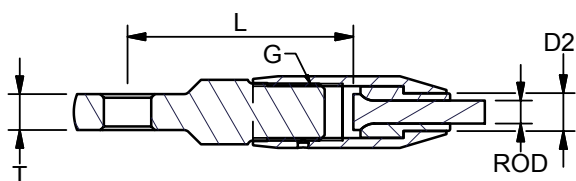
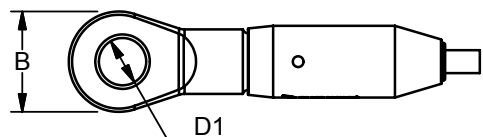
ART. NO.	ROD Ø MM.	DASH	THREAD G	L	B	D1	D2	T	KG/100	PACK
FSX58060	6,0	9	5/8"	55	24	11,5	10,6	8	14,8	PACK
FS058060	6,0	9	5/8"	62,0	28,0	13,2	10,6	10	17,8	BULK
FS058064	6,4	10	5/8"	62,0	28,0	13,2	10,6	10	17,8	BULK
FSX34071	7,1	12	3/4"	67,0	28,0	13,2	14	10	27	BULK
FS034071	7,1	12	3/4"	73,5	36,0	16,5	14,0	12	32,0	BULK
FS034074	7,5	15	3/4"	73,5	36,0	16,5	14,0	12	31,6	BULK
FS034080	8,0	16	3/4"	73,5	36,0	16,5	14,0	12	31,5	BULK
FS034084	8,4	17	3/4"	73,5	36,0	16,5	14,0	12	31,3	BULK
FSX34084	8,4	17	3/4"	83	41,0	19,5	14,0	16	40,2	BULK
FS100095	9,5	22	1"	92,0	41,0	19,5	19,0	16	64,6	BULK
FSX10111	11,1	30	1"	92,0	41,0	19,5	19,0	16	64,2	BULK
FS100111	11,1	30	1"	96,0	47,0	23,0	19,0	18	71,3	BULK

Also available as Toggle version.

Note: Break loads are determined by rod.

The user is responsible for choosing the proper rod diameter and for correct assembly.

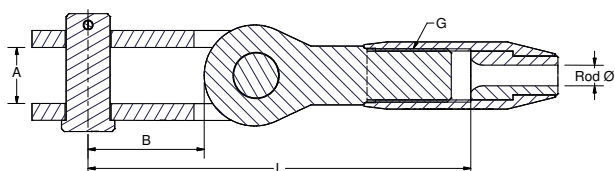
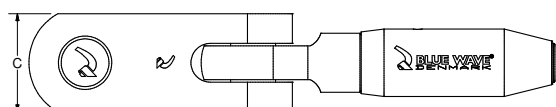
The "Furler Eye Terminal" is a highly sophisticated rod eye. It enables the rigger to fit the rod eye onto the rod after the cold heading. It can also be used to replace broken or stuck fittings without having to do a time and cost consuming replacement.



FURLER TOGGLE

High Polished Stainless Steel - AISI 316

ART. NO.	ROD Ø MM.	DASH	PIN	THREAD G	A	B	C	L	KG/100	PACK
FT011060	6,0	9	11,1	5/8"	15	31	30	100	30,8	BULK
FT012060	6,0	9	12,7	5/8"	18,0	34,0	30	113	36,7	BULK
FT011264	6,4	10	12,7	5/8"	18,0	34,0	30	113	36,7	BULK
FT012071	7,1	12	12,7	3/4"	18,0	35,0	30	117	46,2	BULK
FT058071	7,1	12	15,9	3/4"	20	41,0	35	136	68,9	BULK
FT058075	7,5	15	15,9	3/4"	20	41,0	35	136	68,9	BULK
FT058080	8,0	16	15,9	3/4"	20	41,0	35	136	68,8	BULK
FT058084	8,4	17	15,9	3/4"	20	41,0	35	136	68,7	BULK
FT034095	9,5	22	19	1"	24	45,0	40	162	128,2	BULK
FT034111	11,1	30	19	1"	24,0	45,0	40,0	162	127,8	BULK
FT078111	11,1	30	22,2	1"	26,0	47,0	50,0	172	165,5	BULK



www.bluewave.dk

Blue Wave reserve the right without notification, to change specifications and descriptions contained in the Marine catalogue. 2015 - 1 edition.